

SOLARIS 650 MO/PO



code 1650

Specifications

Front and rear frame in aluminium 2mm.
 Lens door die cast aluminium.
 Body housing in steel .
 Colour matt black heat resistant.
 Fresnel lens diam. 120 mm F80 - 32.
 Lampholder GY9,5.
 Fitting halogen lamps 650W CP89, 64717, 6638 (3200°K)
 Spot Flood control Manual or Pole operated.
 M.O. Yoke mount in aluminium with 5/8" (16mm) socket
 P.O. Yoke mount in steel with 1-1/8" (29mm) spigot.
 Power cable 3x1mmq 3,5 m. long. Titanex HAR H07 RN
 8 Amp. 250V switch in line (16Amp. 125V).
 Inox safety wire guard.
 Supplied complete with gel frame and barndoor.
 Weight : MO 2,100 Kg. - PO 4,800 Kg. Without cable.

Accessories

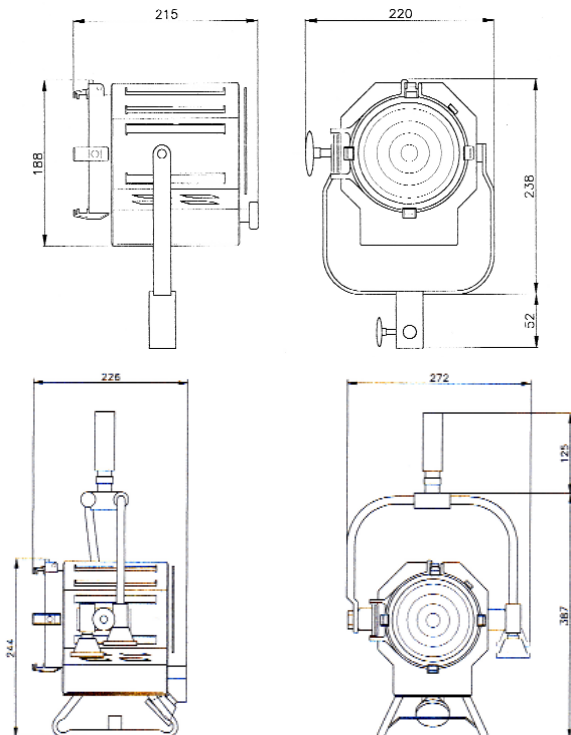
Code 1651: Four leaf rotating barndoor (supplied with lamphead)

Code 1652: Gel frame (supplied with lamphead)

Photometrics

DISTANCE 3 m	SPOT	FLOOD
light center value	8650	1250
beam angle= beam at 50% peak value	8°	47°
field angle= beam at 10% peak value	16°	60°
RATIO	1:7	

Fitting halogen lamps with GY9,5 base



1650 M.O.



1650 P.O.