

Application

Beam style	variable-spread, soft-edge beam
Suitable for	architectural, display and retail areas
Specification level	professional range
Beam angle	7° - 63°
Typical throw distance	2 - 20m

Electrical specifications

Supply Volts	208/230/260V AC single phase 50/60 hZ
Ballast	built-in, power factor corrected
Max. Lamp Watts	250W
Lamp base	GY9.5
Cable/connection	1.5m, 3x1.5mm ² flexible cable to bare ends
Standards Compliance	EN60598-2-17, CE marked

Mechanical specifications

Paint/Finish	black, white or silver epoxy powder paint
Lamp House Construction	extruded aluminium and sheet steel
Reflector	55mm diameter glass
Lens	120mm diameter Fresnel
Mounting & suspension	steel stirrup with 12mm centre hole and DIN mounting
Handle	rear
Weight/Packed weight	8.6 kg / 10 kg
Packed volume	0.05m ³
Filter cut size	150 x 150mm
Accessory runners	3 slots
Safety guard	accessory
Colour frame	metal, 150 x 150 mm, supplied
Lamp access	removable top panel
Lens access	front and via lamp access

Operational specifications

Focus adjustment	slide focus with control underneath
Beam Shaping	4-leaf barndoor
Positional adjustment	single rim-clamp tilt lock
Working position	max. tilting $\pm 70^\circ$ from horizontal

Lamp types

6000K	Philips MSA 300 GY9.5 4000 hrs
6700K	Philips MSD 250 GY9.5 3000 hrs
8500K	Philips MSD 250/2 GY9.5 3000 hrs

LDR recommends Philips lamps

Accessories

Spare metal colour frame	■ 20100103	□ 20100103B	■ 20100103C
4-leaf barndoor	■ 20100303	□ 20100303B	■ 20100303C
	□ 20100303D	■ 20100303E	
Hook clamp	20100900	Alu-grip clamp	20101100
Safety bond	20101200		
Colour scroller Express 13	20106013 with mounting plate 20600003		

Photometric data

Spot focus	Philips MSD 250/2									
Beam dia.	0.2	0.4	0.5	0.6	0.7	0.9	1	1.1	1.2	m
lux	23150	10289	5788	3704	2572	1890	1447	1143	926	
Distance	2	3	4	5	6	7	8	9	10	m

Flood focus

Beam dia.	2.5	3.7	4.9	6.1	7.4	8.6	9.8	11	12.3	m
lux	3300	1467	825	528	367	269	206	163	132	
Distance	2	3	4	5	6	7	8	9	10	m

LUCI DELLA RIBALTA PROFESSIONAL LIGHTING PRODUCTS

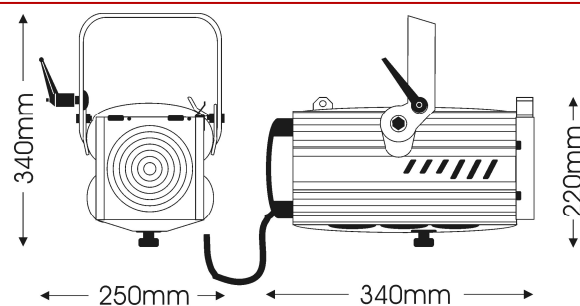
suono[®] f250 msd

250W, 208/230/260V
discharge fresnel

part number : ■ 10201080 □ 10201081 ■ 10201082



CE



High power discharge Fresnel spotlight for display and internal architectural lighting applications. Suono f250 can use either a 250W MSD or a 300 MSA lamp and produces a soft-edged beam with a variable beam angle ranging from 7° to 63°.

A multi-frequency built-in ballast, colour frame and 1.5m mains cable are all supplied as standard. Available to special order in any colour from the RAL range.

LDR
luci della ribalta

Luci della Ribalta
Via Berna 14
46042 Castel Goffredo (MN), Italy
tel: +39 0376 771777
fax: +39 0376 772140
www.ldr.it info@ldr.it

issue: ap ©2008. LDR reserves the right to alter the specification without prior notice.