

Application

Beam style	variable-spread, soft-edge beam
Suitable for	architectural, display and retail areas where the position of the luminaries needs to be changed frequently
Specification level	professional range
Beam angle	7° - 63°
Typical throw distance	2 - 15m

Electrical specifications

Supply Volts	230/240V AC single phase
Ballast	built-in and power factor corrected
Max. Lamp Watts	150W
Lamp base	G12
Cable/connection	1.5m, 3x1.5mm ² flexible cable to bare ends
Standards Compliance	EN60598-2-17, CE marked

Mechanical specifications

Paint/Finish	black, white or silver epoxy powder paint
Lamp House Construction	extruded aluminium and sheet steel
Reflector	55mm diameter glass
Lens	120mm diameter Fresnel
Mounting & suspension	pole-operated stirrup with DIN spigot for the control of pan and tilt movement
Rear handle	yes
Weight/Packed weight	7,8kg / 9,5kg
Packed volume	0.068m ³
Filter cut size	125 x 125mm
Accessory runners	3 slots
Safety guard	accessory
Colour frame	metal, 125 x 125mm, supplied
Lamp access	top panel
Lens access	front and via lamp access

Operational specifications

Focus adjustment	slide focus with control underneath
Lamp alignment	factory set
Beam Shaping	4-leaf barndoor
Positional adjustment	pole-operated control on pan and tilt
Working position	max. tilting $\pm 70^\circ$ from horizontal

Lamp types

3000K	Philips 150W CDM-T 150/830 9.000 hrs
4200K	Philips 150W CDM-T 150/942 9.000 hrs
4200K	Philips 150W CDM-T SA 150/942 6.000 hrs

LDR recommends Philips lamps

Accessories

Spare metal colour frame	■ 20100102 □ 20100102B ■ 20100102C
4-leaf barndoor	■ 20100302 □ 20100302B ■ 20100302C □ ■ 20100302D ■ 20100302E
Alu-grip clamp with spigot	20101103
Operating pole 1,2/4m	90DS3858
Operating pole 2,1/7,5m	90DS3860
Safety bond	20101200

Photometric data

Spot focus	CDM-T 150/942									
Beam dia.	0.2	0.4	0.5	0.6	0.7	0.9	1	1.1	1.2	m
lux	13360	5938	3340	2138	1484	1091	835	660	534	
Distance	2	3	4	5	6	7	8	9	10	m

Flood focus										
Beam dia.	2	3.1	4.1	5.1	6.1	7.1	8.2	9.2	10.2	m
lux	1800	800	450	288	200	147	113	89	72	
Distance	2	3	4	5	6	7	8	9	10	m

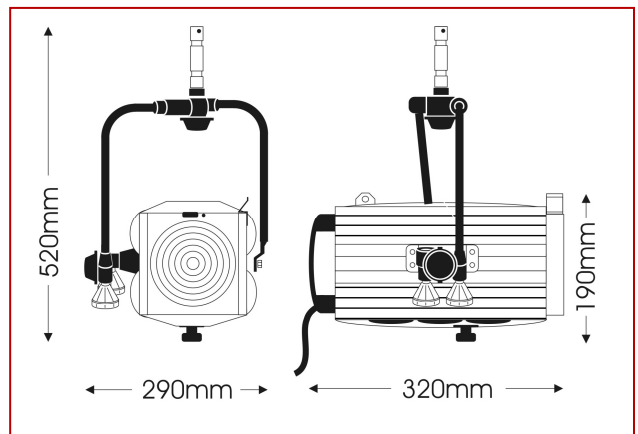
LUCI DELLA RIBALTA PROFESSIONAL LIGHTING PRODUCTS

soffio[®] f150 p.o.

150W

pole-operated discharge fresnel

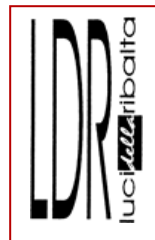
part number : ■ 12151080 □ 12151081 ■ 12151082



New version of the popular Soffio f, featuring a pole-operated stirrup for the control of pan and tilt.

Ideal for display lighting and theatrical-style illumination of architectural space, the Soffio Fresnel produces a bright soft-edged beam, variable from 7° to 63°, shaped using an optional 4-leaf barndoor accessory.

With a choice of 150W discharge lamps to give a warm or cool colour temperature, the high power, low consumption and low maintenance design is perfectly suited to architectural applications. Available to special order in any colour from the RAL range, Soffio f150 is supplied with a built-in ballast, colour frame and 1.5m mains cable.



Luci della Ribalta srl
Via Berna 14
46042 Castel Goffredo (MN), Italy
tel: +39 0376 771777
fax: +39 0376 772140
www.ldr.it info@ldr.it

issue: ap ©2008. LDR reserves the right to alter the specification without prior notice.