

Application

Beam style	variable-spread, soft-edge beam
Suitable for	architectural, display and retail areas
Specification level	professional range
Beam angle	7° - 63°
Typical throw distance	2 - 20m

Electrical specifications

Supply Volts	208/230/260V AC single phase 50/60 hZ
Ballast	built-in, power factor corrected
Max. Lamp Watts	250W
Lamp base	GY9.5
Cable/connection	1.5m, 3x1.5mm ² flexible cable to bare ends
Standards Compliance	EN60598-2-17, CE marked

Mechanical data

Paint/Finish	black, white or silver epoxy powder paint
Lamp House Construction	extruded aluminium and sheet steel
Reflector	55mm diameter glass
Lens	120mm diameter Fresnel
Mounting & suspension	pole-operated stirrup with DIN spigot for the control of pan and tilt movement
Handle	rear
Weight/Packed weight	10,4 kg / 12 kg
Packed volume	0.05m ³
Filter cut size	150 x 150mm
Accessory runners	3 slots
Safety guard	accessory
Colour frame	metal, 150 x 150 mm, supplied
Lamp access	removable top panel
Lens access	front and via lamp access

Operational data

Focus adjustment	slide focus with control underneath
Beam Shaping	4-leaf barndoor
Positional adjustment	pole-operated control on pan and tilt
Working position	max. tilting $\pm 70^\circ$ from horizontal

Lamp types

6000K	Philips MSA 300 GY9.5 4000 hrs
6700K	Philips MSD 250 GY9.5 3000 hrs
8500K	Philips MSD 250/2 GY9.5 3000 hrs

LDR recommends Philips lamps

Accessories

Spare metal colour frame	■ 20100103 □ 20100103B ■ 20100103C
4-leaf barndoor	■ 20100303 □ 20100303B ■ 20100303C □■ 20100303D ■ 20100303E
Alu-grip clamp with spigot	20101103
Operating pole 1,2/4m	90DS3858
Operating pole 2,1/7,5m	90DS3860
Safety bond	20101200

Photometric data

Spot focus	Philips MSD 250/2									
Beam dia.	0.2	0.4	0.5	0.6	0.7	0.9	1	1.1	1.2	m
lux	23150	10289	5788	3704	2572	1890	1447	1143	926	
Distance	2	3	4	5	6	7	8	9	10	m

Flood focus										
Beam dia.	2.5	3.7	4.9	6.1	7.4	8.6	9.8	11	12.3	m
lux	3300	1467	825	528	367	269	206	163	132	
Distance	2	3	4	5	6	7	8	9	10	m

LUCI DELLA RIBALTA PROFESSIONAL LIGHTING PRODUCTS

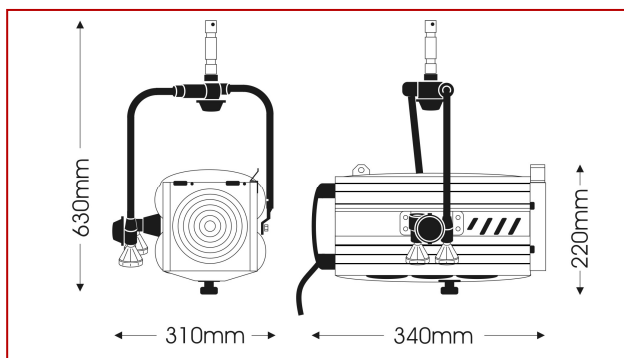
suono[®] f250msd P.O.

250W, 208/230/260V

pole-operated discharge

fresnel

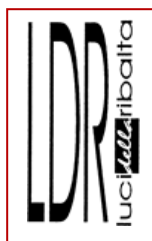
part number : ■ 12201080 □ 12201081 ■ 12201082



High power discharge Fresnel spotlight for display and internal architectural lighting applications. Suono f250 can use either a 250W MSD or a 300 MSA lamp and produces a soft-edged beam with a variable beam angle ranging from 7° to 63°.

Now available also in the pole-operated version which allows control on pan and tilt and is ideal for all those applications where a frequent repositioning of the beam is required.

A multi-frequency built in ballast, colour frame and 1.5m mains cable are all supplied as standard. Available to special order in any colour from the RAL range.



Luci della Ribalta
Via Berna 14
46042 Castel Goffredo (MN), Italy
tel: +39 0376 771777
fax: +39 0376 772140
www.ldr.it info@ldr.it

issue: ap ©2008. LDR reserves the right to alter the specification without prior notice.