



SquareLED - ENDURANCE

# Manual | ENDURANCE



## Package and accessories

- Squareled Endurance: 1 unit
- Barndoor: 1 set
- 3 pin plug: 1 pair
- Power plug: 1 pair
- Lens: 2 pieces

## Functions

- Input voltage 100-240V 50-60HZ
- Power consumption 340W
- Light source power 300W
- Manual button dimming or DMX dimming
- Beam angle 17°
- 16 Byte smoothly dimming.
- G.W.: 10.5kg
- N.W.: 8.5kg

## Keys instruction

- These 4 keys : "Enter" "←Menu" "↓Down" "↑Up" .
- Button at the back can adjust brightness,DMX signal....
- "Enter"-- To save setting.
- "←Menu" -- To choose function.
- "↓Down"
- "↑Up"-- To adjust function settings.

## DMX Channel




- 1 DMX Channel (0-255 Dimming)

## Special remind:


- Daisy Chained-- Maximum 10 units when using 220v Input Voltage .
- Maximum 6 units when using 110v input Voltage.

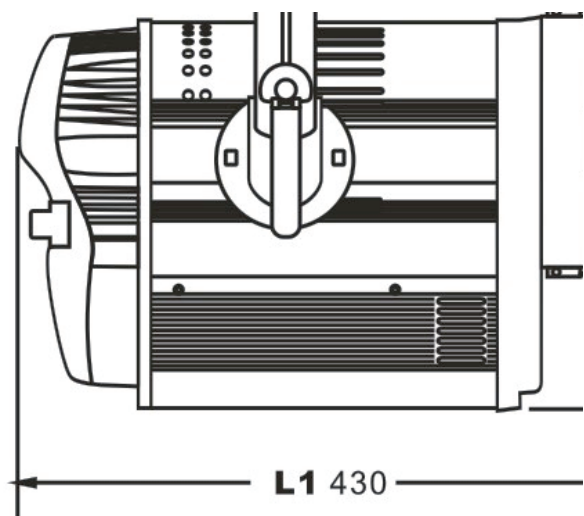
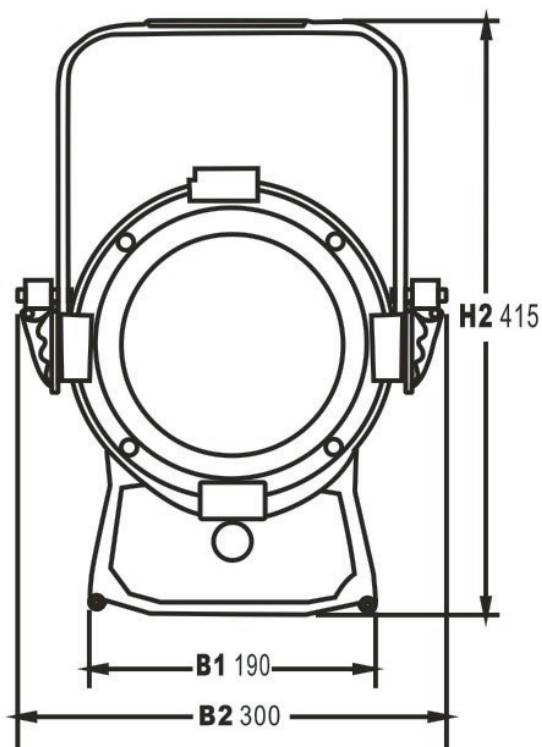
# Manual | ENDURANCE

## Screen display and its function

1		<p><b>Display DMX signal address connected.</b></p> <p>Can adjust signal address by button “↓Down” and “↑Up” and press “Enter” to save your setting.</p>
2		<p><b>Display DMX signal address not connect.</b></p> <p>Can adjust signal address by button “↓Down” and “↑Up” and press “Enter” to save your setting.</p>
3		<p><b>Dimming Mode:</b></p> <p>Can Adjust brightness by “↓Down” and “↑Up” and press “Enter” to save your setting.</p>

## Master/Slave Mode

- 
 Daisy Chained all fixtures--Set to Master all fixtures by any one fixture.
- mode--Set all fixtures address to “001”--Then can



## **Das Lichttechnikhaus Vertriebs GmbH**

Rudolf-Diesel-Str. 3, D-89312 Günzburg

Telefon +49 (0) 82 21 207 98-0

Fax +49 (0) 82 21 207 98-69

E-Mail [info@lth-gmbh.de](mailto:info@lth-gmbh.de)

Web [www.lth-gmbh.de](http://www.lth-gmbh.de)