



# User Manual: Squareled Non-Plus-Ultra Violet

# Manual | Non-Plus-Ultra Violet

## 1. Summary

Thank you for purchasing our PS1212. Please read these instructions carefully before begin and operate the fixtures according to these instructions to avoid any possible damages and accidents causes by misusage

**Products introduction:** LED PS1212 light uses casting aluminum housing, designed in a fashion of hydrodynamic form. Appearance shows. It adopts high power 6-in-1 LED, which refers to single LED is made of R,G,B,A,W,UV 6-IN-1 LED, And long life span, low consumption, good color mixing effect and high brightness are the most prominent features. Each kind of LED can be independently dimmed. The built-in program includes dimming, strobe, eotic, gradual change, fading and so on. It uses power switch, performs low weight and consumption, stable capability and long life. International standard DMX 512 signal is requested.

**Packing list:** 1xPS1212, 1x DMX Signal Cable , 1 x Waterproof input power cable, User Manual, Warranty Card

## 2. Safety Instruction

### Safety Notes

- ! Enquire the skilled people before any repair;
- ! Always make sure disconnect from the power source before setting up, serving and moving;
- ! Avoid direct eye exposure to the fixture when it is on;

### Safety instruction

Make sure the power supply voltage are consistent with this lights Ensure the use of voltage is in the range of the request technical parameter.

Before the installation, please check the light's fasteners and mechanical structure have been received in good condition and appear no damage.

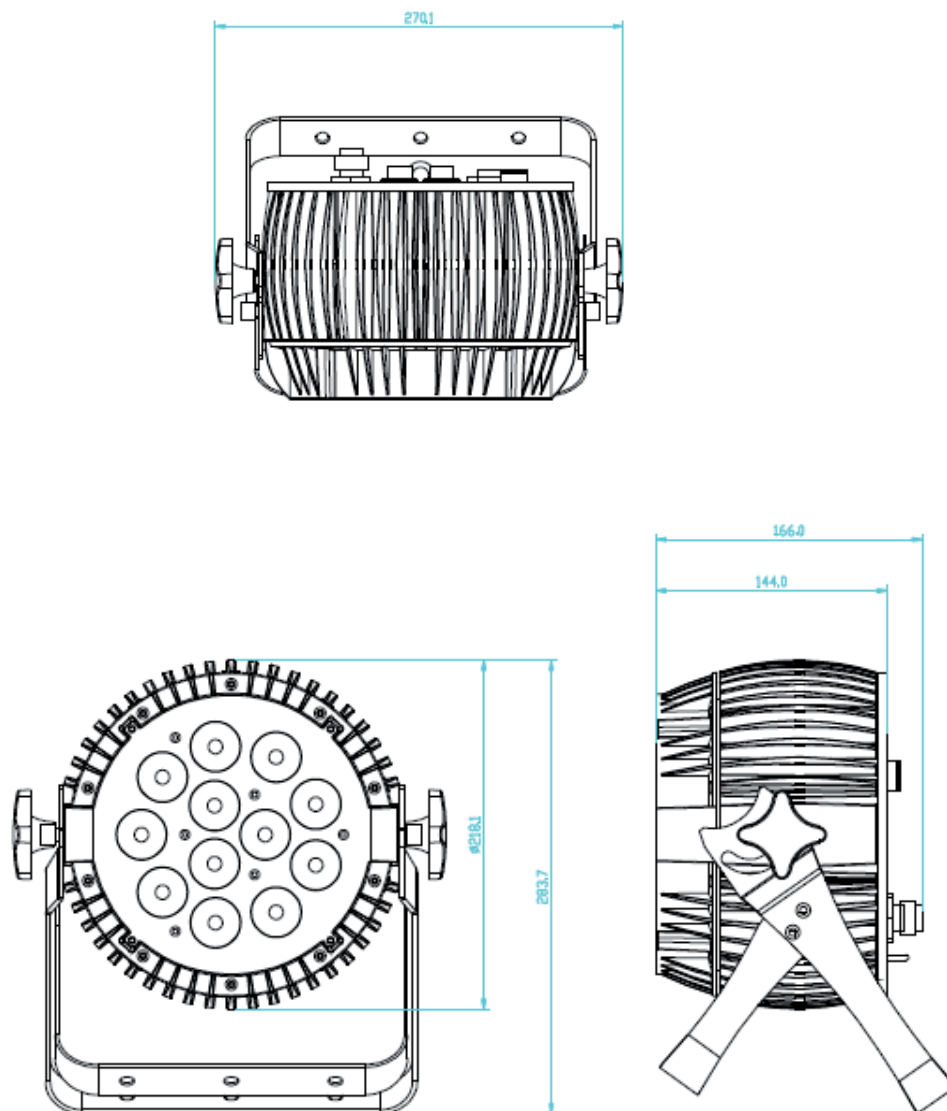
This light is designed for indoor use; working temperature is lower than 50 degree.

The fixtures maybe mounted in any position provided there is adequate room for ventilation. Make sure there are no inflammable and explosive items (ornaments) in 0.5 meters away.

Yellow / green cabling earthling safety; no flicker when the fixture is working on.

# Manual | Non-Plus-Ultra Violet

## 3. outside Size Picture



# Manual | Non-Plus-Ultra Violet

## 4. Main Function

- » high quality LED: low consumption, brightness, stable capability and long life
- » each color of LED with 16666 dimming. RGB can make over 16.7 million colors, adding W can achieve many effects.
- » Liner dimming from 0-100%, strobe, gradual change, jumping change etc effects
- » Touch Buttons, Unusual feeling to you.
- » DMX512 Controller: 4 button set DMX ID address with led display
- » auto run /sound activated/master slave/interconnected multi-machine control
- » using switching power supply to protect the LED to work well
- » Built-in temperature control function : The output of LED will be reduced when LED is too hot.
- » lens degree: 15°, 25°, 45° optional
- » Protection grade: IP65

## 5. DMX Control Function

### DMX Channel (6CH):

channel	DMX value	Control Function	Remarks
1CH	0-255	R 0-100%	
2CH	0-255	G 0-100%	
3CH	0-255	B 0-100%	
4CH	0-255	A 0-100%	
5CH	0-255	W 0-100%	
6CH	0-255	UV 0-100%	

### DMX Channel (7CH):

channel	DMX value	Control Function	Remarks
1CH	0-255	R 0-100%	
2CH	0-255	G 0-100%	
3CH	0-255	B 0-100%	
4CH	0-255	A 0-100%	
5CH	0-255	W 0-100%	
6CH	0-255	UV 0-100%	
7CH	0-10	Close Strobe	
	11-255	Adjust Strobe Speed (1-20Hz)	

# Manual | Non-Plus-Ultra Violet

## DMX Channel (8CH):

channel	DMX value	Control Function	Remarks	Priority
1CH	0-255	General dimming		
2CH	0-255	R 0-100%		
3CH	0-255	G 0-100%		
4CH	0-255	B 0-100%		
5CH	0-255	A 0-100%		
6CH	0-255	W 0-100%		
7CH	0-255	UV 0-100%		
8CH	0-10	Close Strobe		
	11-255	Adjust Strobe Speed (1-20Hz)		

## DMX Channel (8CH):

channel	DMX value	Control Function	Remarks
1CH	0-255	General dimming 0—100%	
2CH	0-255	red dimming 0—100%	
3CH	0-255	Green dimming 0—100%	
4CH	0-255	blue dimming 0—100%	
5CH	0-255	Amber dimming 0—100%	
6CH	0-255	White dimming 0—100%	
7CH	0-255	UV dimming 0—100%	
8CH	0-10	Close Strobe	
	11-255	Adjust Strobe Speed (1-20Hz)	
9CH	0-15	Dimming	
	16-18	R	
	19-21	G	
	22-24	B	
	25-27	A	
	28-30	W	
	31-33	UV	
	34-36	R+G	
	37-39	R+B	
	40-42	R+A	
	43-45	R+W	
	46-48	R+UV	
	49-51	G+B	
	52-54	G+A	
	55-57	G+W	
58-60	G+UV		
61-63	B+A		

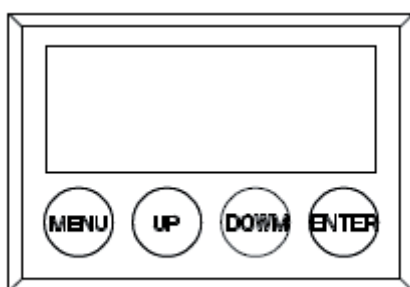
# Manual | Non-Plus-Ultra Violet

9CH	64-66	B+W	
	67-69	B+UV	
	70-72	A+W	
	73-75	A+UV	
	76-78	W+UV	
	79-81	R+G+B	
	82-84	R+G+A	
	85-87	R+G+W	
	88-90	R+G+UV	
	91-93	R+B+A	
	94-96	R+B+W	
	97-99	R+B+UV	
	100-102	R+A+W	
	103-105	R+A+UV	
	106-108	R+W +UV	
	109-111	G+B+A	
	112-114	G+B+W	
	115-117	G+B+UV	
	118-120	G+A+W	
	121-123	G+A+UV	
	124-126	G+W+UV	
	127-129	B+A+W	
	130-132	B+A+UV	
	133-135	B+W+UV	
	136-138	A+W+UV	
	139-141	R+G+B+A	
	142-144	R+G+B+W	
	145-147	R+G+B+UV	
	148-150	R+G+A+W	
	151-153	R+G+A+UV	
	154-156	R+G+W+UV	
	157-159	R+B+A+W	
	160-162	R+B+A+UV	
	163-165	R+B+W+UV	
166-168	R+A+W+UV		
169-171	G+B+A+W		
172-174	G+B+A+UV		
175-177	G+B+W+UV		
178-180	G+A+W+UV		
181-183	B+A+W+UV		
184-186	R+G+B+A+W		

# Manual | Non-Plus-Ultra Violet

	187-189	R+G+B+A+UV	
	190-192	R+G+B+W+UV	
	193-195	R+G+A+W+UV	
	196-198	R+B+A+W+UV	
	199-201	G+B+A+W+UV	
	202-204	R+G+B+A+W+UV	
	205-255	auto -run effect(the more value,the faster speed)	
10CH	0-15	Invalid	
	16-255	Multi-colors jumping change(the more value,the faster speed)	
11CH	0-5	Set by LCD display DIMMER0-4	
	6-55	DIMMER0	
	56-105	DIMMER1	
	106-155	DIMMER2	
	156-205	DIMMER3	
	206-255	DIMMER4	

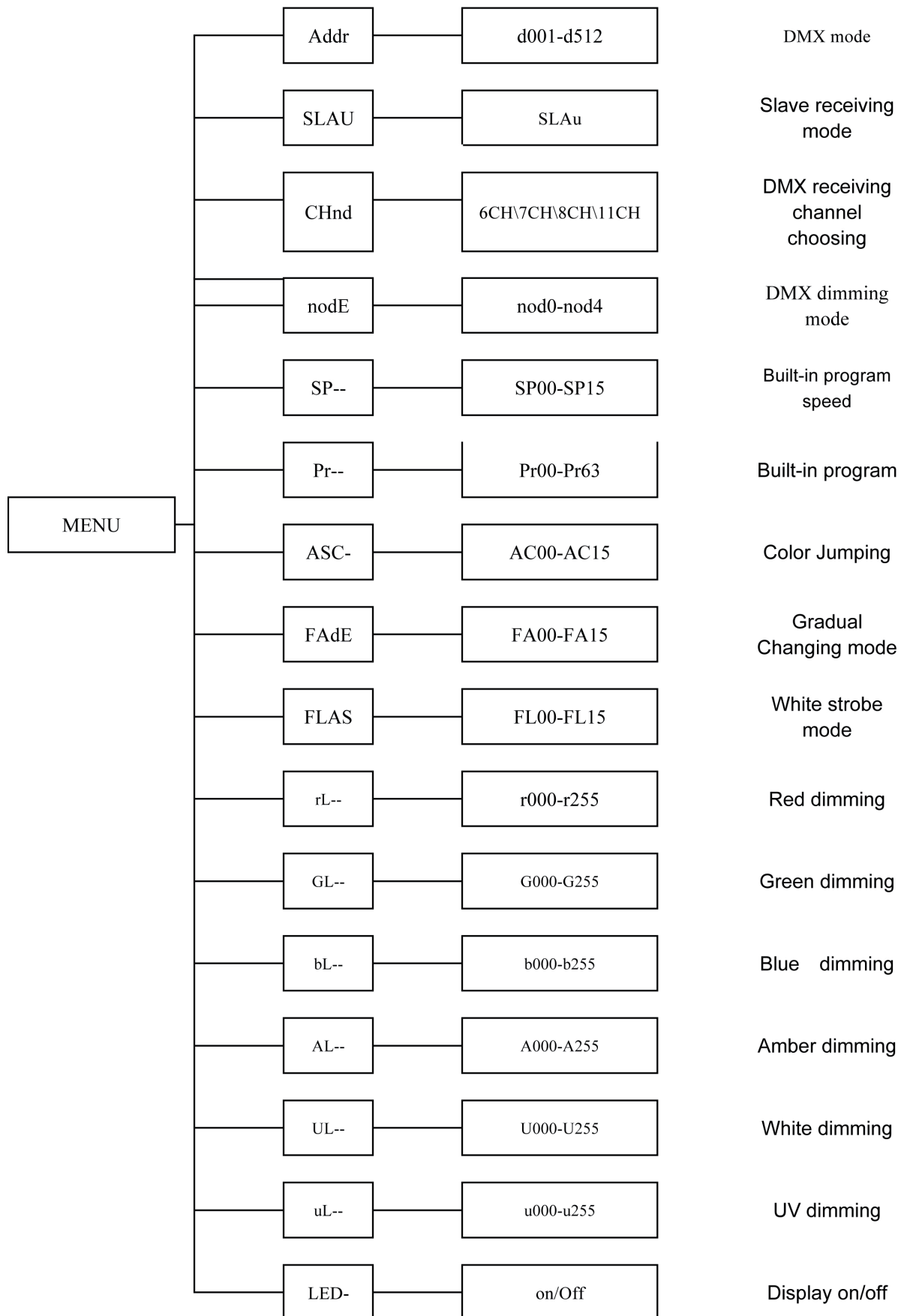
## 6. Display Operation



- » MENU : access the menu or return to a previous menu option
- » ENTER: select the current menu option
- » UP: menu selection or parameter increments
- » DOWN: menu selection or parameters decrease

# Manual | Non-Plus-Ultra Violet

## 7. Menu Instruction





# Manual | Non-Plus-Ultra Violet

## 1. Operating instruction:

MENU (UP/DOWN)+ENTER+(UP/DOWN)+ENTER

Remark: Exp: Select the DMX mode, Here are the operation details:

- » Press the MENU, go back to the initial setting
- » Press UP/DOWN, display "Addr"
- » Press ENTER to change the content, the display will glinting at this moment
- » Press UP/DOWN to change the address code to select A001
- » Press ENTER to select and store the current menu options. DMX mode will be stored automatically and the screen will stop glinting.
- » Exp: Select DMX Channels optional mode, the operation is as below:
- » Press MENU: go back to the initial setting
- » Press UP/DOWN: display "CHnd"
- » Press ENTER to change the content, the display will glinting at this moment
- » Press UP/DOWN to select the DMX channels that you need, 5CH, 6CH, 9CH and so on
- » Press ENTER to select and store the current menu options. DMX mode will be stored automatically and the screen will stop glinting.

Exp: Close the display, the operation is as below:

- » Press MENU: go back to the initial setting
- » Press UP/DOWN: display "LED"
- » Press ENTER to change the content, the display will glinting at this moment
- » Press UP/DOWN to select "OFF"
- » Press ENTER to confirm, the select the working mode that you need. When stop pressing, the display will shut after a while. When the display is closed, press any button to activate the display. If setting the led to "off", when stop pressing, the display will shut after a while.

## 2. Details of program built inside (Pr- -)

Press MENU, go back to the initial setting

- » Press UP / DOWN until Pr--
- » Press ENTER to choose, the display will glinting at this moment
- » Press UP / DOWN to change the address code to select pr00
- » Press ENTER to select and store the current menu options. DMX mode will be stored automatically and the screen will stop glinting.
- » Remark: Pr00--- Pr62 R,G,B,W single color or multi-colors lighting
- » Pr63: Multi colors jumping.
- » Pr63 can modify the content of SP--, modify the jumping speed. SP00 is the fastest, SP15 is the slowest

# Manual | Non-Plus-Ultra Violet

## 8. Operating Control Instruction

### Master/Slave:

**Master:** The master should always work as a master as long as it is not set in a DMX mode whatever other modes it is. And it send out the signal so that the slave synchronous with it. To avoid the host signal and DMX512 signals interfere with each other, should cut off the DMX512 signals. The signal lines are longer than 60 meters (32 lamps) ,should increase a signal amplifier.

**Slave:** the Slave must be set in DMX mode and the address code should be A001, to assure receive the master's signals correctly. Only one light can be set as a Master and others are slaves.

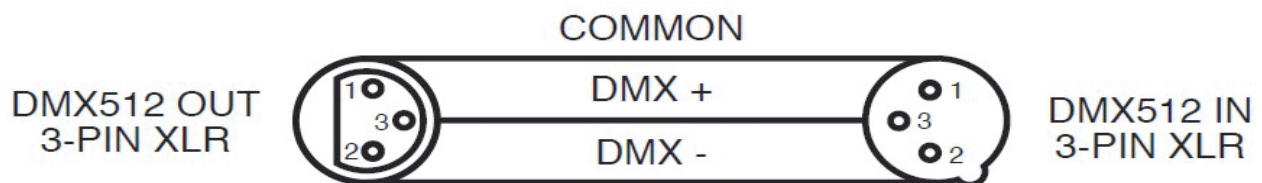
## 10. XLR cable connecting

### XLR cable:

The standard way of connecting the XLR is: one end connects to the male plug, and the other end connects to the female. As bellow: pin 1: ground, pin 2: negative signal, pin 3: positive signal



XLR Pin Configuration
Pin 1 = Ground
Pin 2 = Data Compliment (negative)
Pin 3 = Data True (positive)



Noted: In order to avoid failures and interference signal transmission, we connect a resistance 120Ω (1/4W) at the end of the DMX connecting as below:



Termination reduces signal errors and avoids signal transmission problems and interference. It is always advisable to connect a DMX terminal, (Resistance 120 Ohm 1/4 W) between PIN 2 (DMX-) and PIN 3 (DMX +) of the last fixture.

# Manual | Non-Plus-Ultra Violet

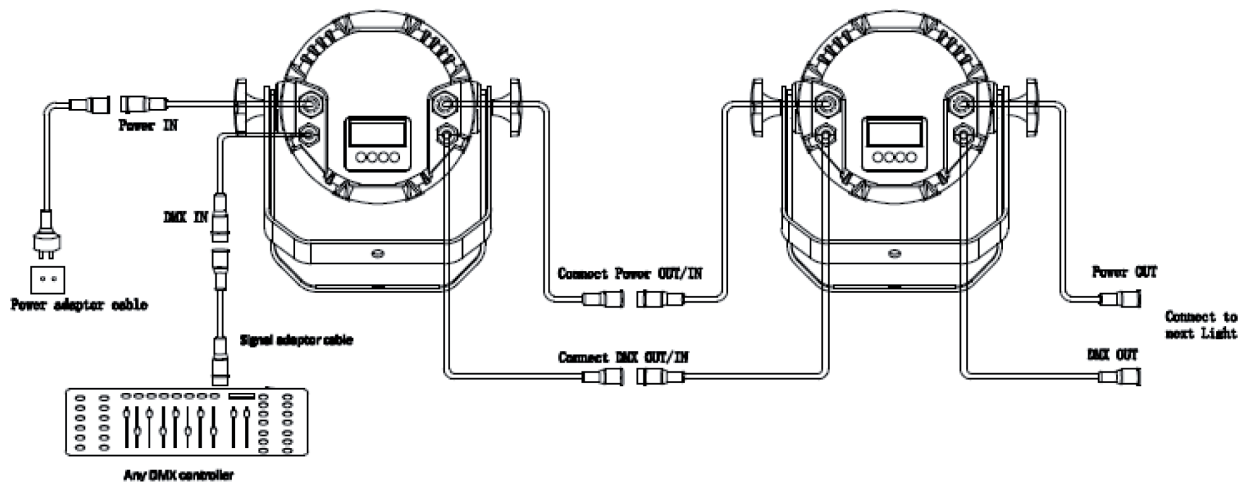
## The Conversion between 3 pin and 5 pin XLR

If the output cable of DMX512 controller is the 5PIN, please use 1pc 5PIN to 3PIN cable

3-Pin XLR to 5-Pin XLR Conversion		
Conductor	3-Pin XLR Female (Out)	5-Pin XLR Male (In)
Ground/Shield	Pin 1	Pin 1
Data Compliment (- signal)	Pin 2	Pin 2
Data True (+ signal)	Pin 3	Pin 3
Not Used		Do Not Use
Not Used		Do Not Use

## 10. Connecting picture

Light connecting picture:



# Manual | Non-Plus-Ultra Violet

## 11. Trouble Shooting

Problem	Checking Way
Can not turn on the light	<ul style="list-style-type: none"><li>• Check the power source plug is in normal or not</li><li>• Check the switch of the lights is off or on</li><li>• Check the fuse if in normal</li></ul>
DMX can not control it	<ul style="list-style-type: none"><li>• Check the DMX cable is connect to the lights or not</li><li>• Check the DMX512 controller work in normal or not</li><li>• Check the DMX cable is normal or not</li><li>• Check if the lights is in DMX mode (A001)</li></ul>
Display not bright	<ul style="list-style-type: none"><li>• When connect to the electricity, did the led flash one time? If so, the power source is normal; If not, please check if the switch and the transformer has power out</li><li>• Check if the power input of the IC board is normal</li><li>• Check if the cable connect to the display loose</li><li>• Change the main board to see if it is normal.</li><li>• Change the display</li></ul>
LED not light	<ul style="list-style-type: none"><li>• When connect to the electricity, did the led flash one time? If so, the power source is normal; If not, please check if the switch and the transformer has power out</li><li>• Check if the power input of the IC board is normal</li><li>• Check if the cable connect to the display loose</li><li>• Change the main board to see if it is normal.</li><li>• Chang the display</li></ul>
Some of the LED not light	<ul style="list-style-type: none"><li>• LED is connected by leds in series first, then connect parallel, so please check if the leds is loose</li><li>• Use the multimeter to check if the led is bright or not, of not, please change the led</li><li>• check whether current limiting resistor is normal or not</li><li>• Check constant current IC is normal or not (compared with the normal IC)</li></ul>
Single color leds always bright/not bright	<ul style="list-style-type: none"><li>• Check the switch of this color is normal or not</li><li>• Change the IC control board</li></ul>
Noted: only professional persons can do as above!	

# Manual | Non-Plus-Ultra Violet

## 12. Technical Specification

- Input voltage: AC 100V-264V/47-63HZ
- Output voltage: DC24V
- Consume: 144W
- Lamp Type: High Power LED (12W)
- Lamp Spec: 6-in-1 12W (112PCS)
- Constant current driver: 500MA
- PWM Dimmer: 400HZ(16666 grades)
- Refresh rate: >400HZ
- Life span: 50000~100000hours
- Control Signal: DMX512, sound activated, auto run
- Control mode: stand alone/ sound activated
- Channel: 6CH, 7CH, 8CH, 11CH
- Color effect: RGBAW UVmixing
- Function Effect: dimmer, strobe, gradual change, sound activated
- Beam Angle: 15°, 25°, 45°
- Cooling mode: Natural Convection
- IP rate: IP65
- Anti-electricity intension: 1.5KV
- Insulation Resistance: >2MΩ
- Size: 287.3\*270.1\*166.0mm
- Net Weight: 5.2 Kg



## **Das Lichttechnikhaus Vertriebs GmbH**

Rudolf-Diesel-Str. 3, D-89312 Günzburg

Telefon +49 (0) 82 21 207 98-0

Fax +49 (0) 82 21 207 98-69

E-Mail [info@lth-gmbh.de](mailto:info@lth-gmbh.de)

Web [www.lth-gmbh.de](http://www.lth-gmbh.de)