



Bedienungsanleitung: SquareLED GUSTO 3x12W RGBAW + UV (6-in-1) IP65

Outdoorstrahler IP65, Kabelgebunden 25° Code 18368 // Outdoorstrahler IP65, Kabelgebunden 45° Code 18369
Outdoorstrahler IP65, Wireless DMX 25° Code 18392 // Outdoorstrahler IP65, Wireless DMX 45° Code 18393

Manual | GUSTO 3x12W RGBAW + UV (6-in-1) IP 65

1. Summary

Summary: Thank you for purchasing our LED PAR. Please read these instructions carefully before begin and operate the fixtures according to these instructions to avoid any possible damages and accidents causes by mis-usage.

Product introduction: The product uses casting aluminum housing, designed in a fashion of hydrodynamic form. Appearance shows. It adopts high power 6-in-1 LED, which refers to single LED is made of R,G,B,A,W,UV 6-IN-1 LED, And long life span, low consumption, good color mixing effect and high brightness are the most prominent features. Each kind of LED can be independently dimmed. The built-in program includes dimming, strobe, eotic, gradual change, fading and so on. It uses power switch, performs low weight and consumption, stable capability and long life. International standard DMX 512 signal is requested.

Packliste: SquareLED Gusto 3x12W RGBAW 1 PC,
DMX Signal Cable 1 Set,
Waterproof input power cable 1PC,
User Manual, Warranty Card

2. Safety Instruction

Safety Notes

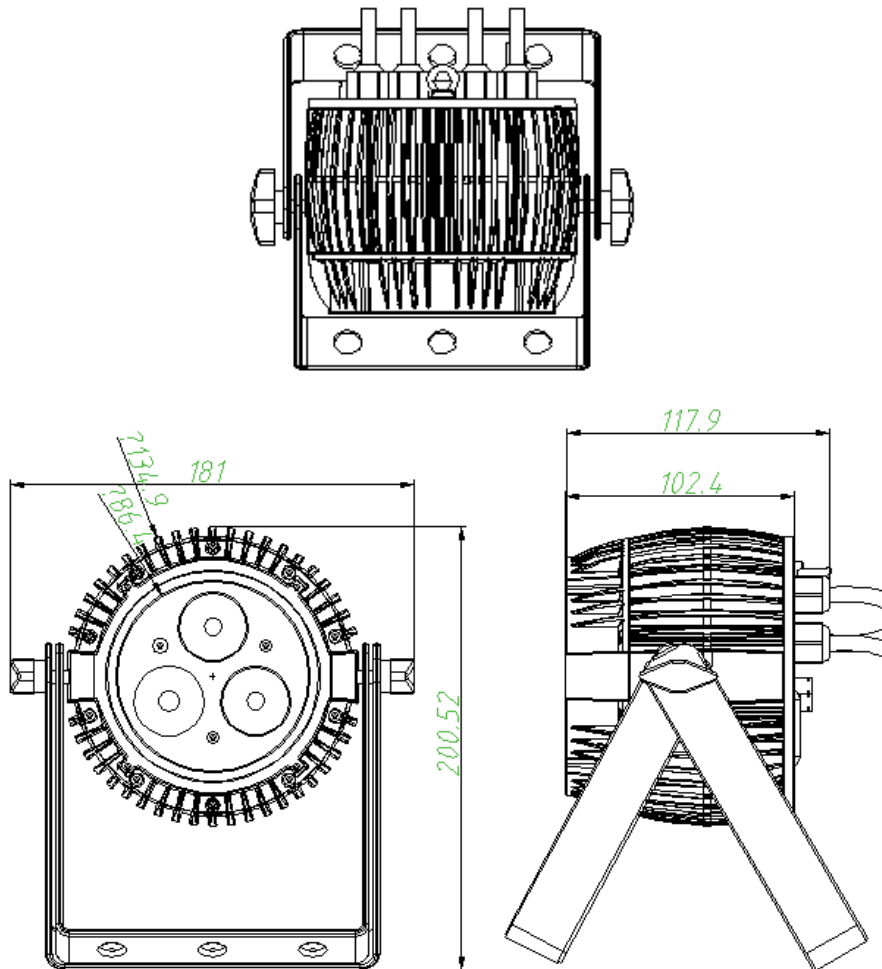
- ! Enquire the skilled people before any repair;
- ! Always make sure disconnect from the power source before setting up, serving and moving;.
- ! Avoid direct eye exposure to the fixture when it is on;

Safety instruction

- Make sure the power supply voltage are consistent with this lights. Ensure the use of voltage is in the range of the request technical parameter.
- Before the installation, please check the light's fasteners and mechanical structure have been received in good condition and appear no damage.
- This light is designed for indoor use; working temperature is lower than 50 degree.
- The fixtures maybe mounted in any position provided there is adequate room for ventilation. Make sure there are no inflammable and explosive items (ornaments) in 0.5 meters away.
- Yellow / green cabling earthling safety; no flicker when the fixture is working on.

Manual | GUSTO 3x12W RGBAW + UV (6-in-1) IP 65

3. Outside Size Picture



4. Main Function

- » high quality LED: low consumption, brightness, stable capability and long life
- » each color of LED with 16666 dimming.
- » Liner dimming from 0-100%, strobe, gradual change, etc effects
- » DMX512 Wire and Wireless Controller, 4 button set DMX ID address with led display
- » auto run /master slave/interconnected multi-machine control
- » using switching power supply to protect the LED to work well
- » Built-in temperature control function : The output of LED will be reduced when LED is too hot.
- » lens degree: 25°, 45° optional
- » Protection grade: IP65
- » DMX Channel Optional

Manual | GUSTO 3x12W RGBAW + UV (6-in-1) IP 65

5. DMX Control Function

DMX Channel (7CH)

Channel	DMX Value	Control Function	Remark
1CH	0-255	R 0-100%	
2CH	0-255	G 0-100%	
3CH	0-255	B 0-100%	
4CH	0-255	A 0-100%	
5CH	0-255	W 0-100%	
6CH	0-255	UV 0-100%	
7CH	0-10	Close Strobe	
	11-255	Adjust Strobe Speed (1-20Hz)	

DMX Channel (8CH)

Channel	DMX Value	Control Function	Remark
1CH	0-255	General dimming	
2CH	0-255	R 0-100%	
3CH	0-255	G 0-100%	
4CH	0-255	B 0-100%	
5CH	0-255	A 0-100%	
6CH	0-255	W 0-100%	
7CH	0-255	UV 0-100%	
8CH	0-10	Close Strobe	
	11-255	Adjust Strobe Speed (1-20Hz)	

Manual | GUSTO 3x12W RGBAW + UV (6-in-1) IP 65

DMX Channel (11CH)

Channel	DMX Value	Control Function	Remark
1CH	0-255	General dimming 0—100%	
2CH	0-255	R dimming 0—100%	
3CH	0-255	G dimming 0—100%	
4CH	0-255	B dimming 0—100%	
5CH	0-255	A dimming 0—100%	
6CH	0-255	W dimming 0—100%	
7CH	0-255	UV dimming 0—100%	
8CH	0-10	Close Strobe	
	11-255	Adjust Strobe Speed (1-20Hz)	
	0-15	Dimming	
	16-18	R	
	19-21	G	
	22-24	B	
	25-27	A	
	28-30	W	
	31-33	UV	
	34-36	R+G	
	37-39	R+B	
	40-42	R+A	
	43-45	R+W	
	46-48	R+UV	
	49-51	G+B	
	52-54	G+A	
	55-57	G+W	
	58-60	G+UV	
	61-63	B+A	
	64-66	B+W	
	67-69	B+UV	
	70-72	A+W	
	73-75	A+UV	
	76-78	W+UV	
	79-81	R+G+B	
	82-84	R+G+A	
	85-87	R+G+W	

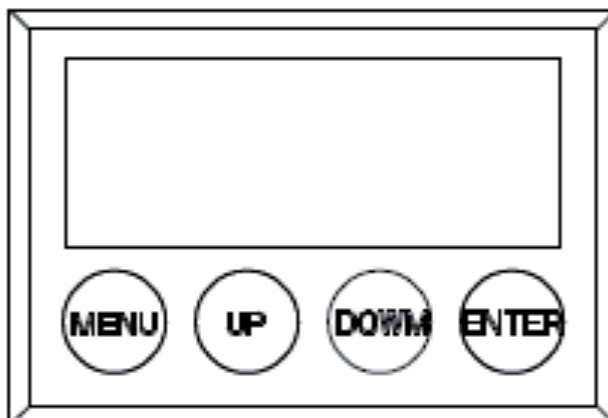
Manual | GUSTO 3x12W RGBAW + UV (6-in-1) IP 65

	88-90	R+G+UV	
	91-93	R+B+A	
	94-96	R+B+W	
	97-99	R+B+UV	
	100-102	R+A+W	
	103-105	R+A+UV	
	106-108	R+W +UV	
	109-111	G+B+A	
	112-114	G+B+W	
	115-117	G+B+UV	
	118-120	G+A+W	
	121-123	G+A+UV	
	124-126	G+W+UV	
	127-129	B+A+W	
	130-132	B+A+UV	
	133-135	B+W+UV	
	136-138	A+W+UV	
	139-141	R+G+B+A	
	142-144	R+G+B+W	
	145-147	R+G+B+UV	
	148-150	R+G+A+W	
	151-153	R+G+A+UV	
	154-156	R+G+W+UV	
	157-159	R+B+A+W	
	160-162	R+B+A+UV	
	163-165	R+B+W+UV	
	166-168	R+A+W+UV	
	169-171	G+B+A+W	
	172-174	G+B+A+UV	
	175-177	G+B+W+UV	
	178-180	G+A+W+UV	
	181-183	B+A+W+UV	
	184-186	R+G+B+A+W	
	187-189	R+G+B+A+UV	
	190-192	R+G+B+W+UV	
	193-195	R+G+A+W+UV	
	196-198	R+B+A+W+UV	
	199-201	G+B+A+W+UV	
	202-204	R+G+B+A+W+UV	
	205-255	Auto run effect (bigger number, faster speed)	

Manual | GUSTO 3x12W RGBAW + UV (6-in-1) IP 65

10CH	0-15	Invalid	
	16-255	Color gradual changing, bigger number, faster speed	
11CH		Set by LCD display	
	0-5	DIMMER0-4	
	6-55	DIMMER0	
	56-105	DIMMER1	
	106-155	DIMMER2	
	156-205	DIMMER3	
	206-255	DIMMER4	

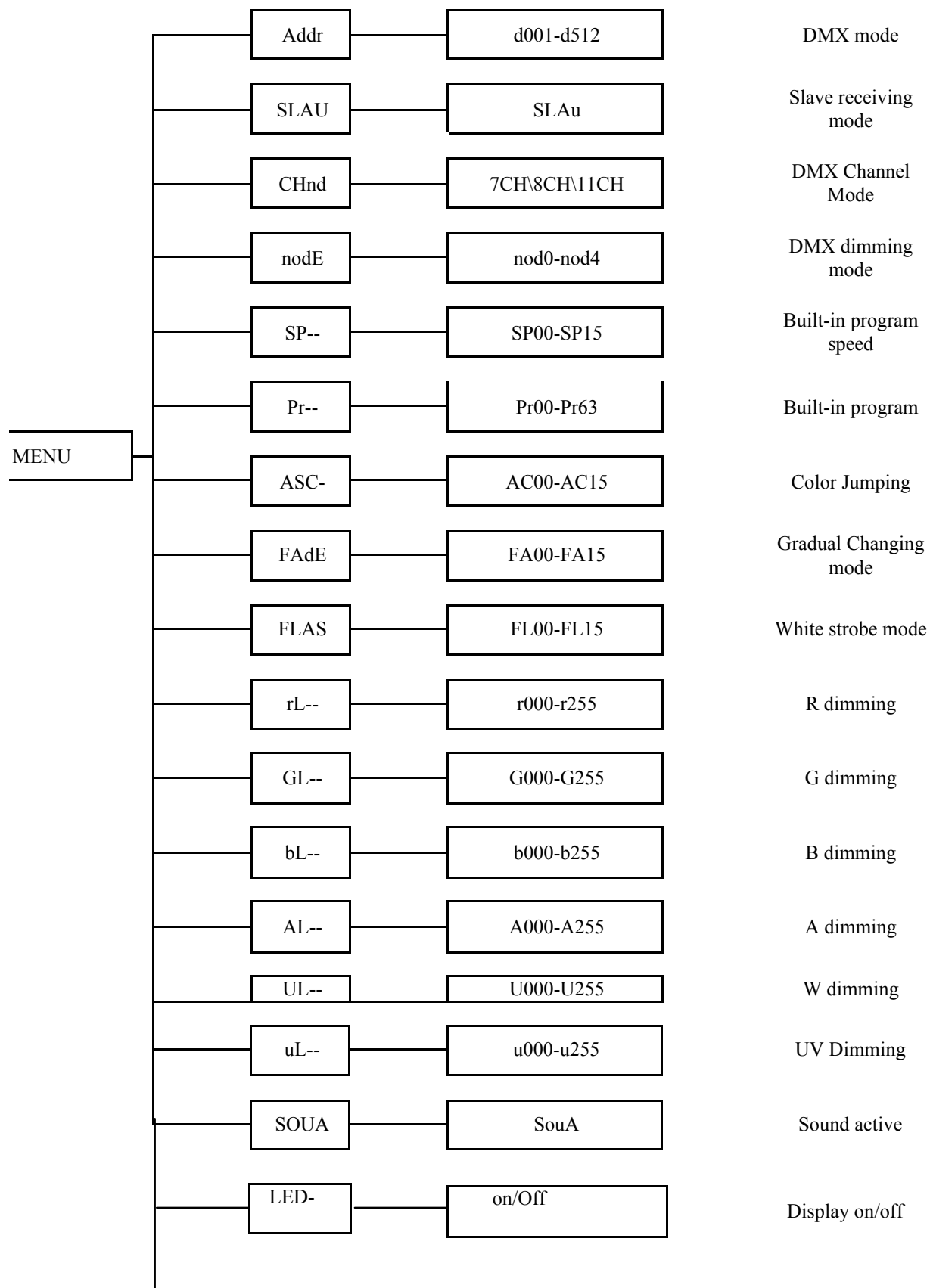
6. Display Operation



- » **MENU:** access the menu or return to a previous menu option
- » **ENTER:** select the current menu option
- » **UP:** menu selection or parameter increments
- » **DOWN:** menu selection or parameters decrease

Manual | GUSTO 3x12W RGBAW + UV (6-in-1) IP 65

7. Menu Instruction



Manual | GUSTO 3x12W RGBAW + UV (6-in-1) IP 65

MENU > Enter > UP/DOWN > ENTER

Remark: Exp: Select the DMX mode, Here are the operation details:

- » Press the MENU, go back to the initial setting
- » Press UP/DOWN, display "Addr"
- » Press ENTER to change the content, the display will glinting at this moment
- » Press UP/DOWN to change the DMX address code to display d001
- » Press ENTER to select and store the current menu options. DMX mode will be stored automatically and the screen will stop glinting.

Exp: Select DMX Channels optional mode, the operation is as below:

- » Press MENU, go back to the initial setting
- » Press UP/DOWN, display "CHnd"
- » Press ENTER to change the content, the display will glinting at this moment
- » Press UP/DOWN to select the DMX channels that you need, 7CH, 8CH, 11CH and so on
- » Press ENTER select and store the current menu options. DMX mode will be stored automatically and the screen will stop glinting.

Exp: Close the display, the operation is as below:

- » Press MENU, go back to the initial setting
- » Press UP/DOWN, display "LED"
- » Press ENTER to change the content, the display will glinting at this moment
- » Press UP/DOWN to select "OFF"
- » Press ENTER to confirm, the select the working mode that you need. When stop pressing, the display will shut after a while. When the display is closed, press any button to activate the display.

2. Details of program built inside

- » Pr00--- Pr62 R,G,B,W single color or multi-colors lighting
- » Pr63: Multi colors jumping.
- » Pr63 can modify the content of SP--, modify the jumping speed.SP00 is the fastest, SP15 is the slowest

8. Operating Control Instruction

Master/Slave:

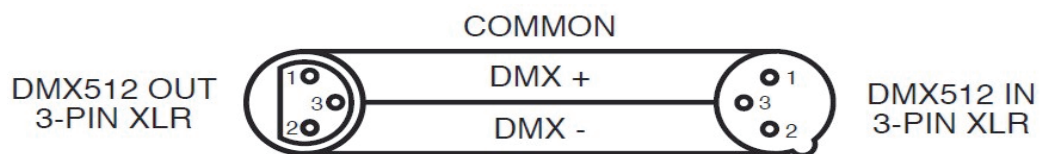
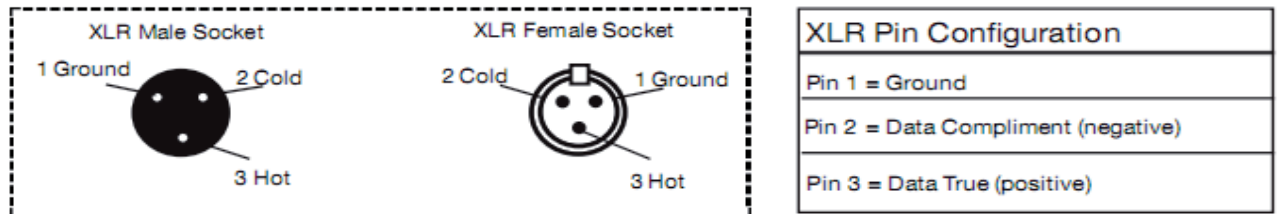
Master: The master should always working as a master as long as it is not set in a DMX mode whatever other modes it is. And it send out the signal so that the slave synchronous with it. To avoid the host signal and DMX512 signals interfere with each other, should cut off the DMX512 signals. The signal lines are longer than 60 meters (32 lamps), should increase a signal amplifier.

Slave: The Slave must be set in DMX mode to assure receive the master's signals correctly. Only one light can be set as a Master and others are slaves.

Manual | GUSTO 3x12W RGBAW + UV (6-in-1) IP 65

9. XLR cable connecting

XLR cable: The standard connection way of the XLR is: one end connects to the male plug, and the other connects to the female. As below: pin 1: ground, pin 2: negative signal, pin 3: positive signal:



Noted: In order to avoid failures and interference signal transmission, we connect a resistance 120Ω (1/4W) at the end of the DMX connecting as below:



Termination reduces signal errors and avoids signal transmission problems and interference. It is always advisable to connect a DMX terminal, (Resistance 120 Ohm 1/4 W) between PIN 2 (DMX-) and PIN 3 (DMX +) of the last fixture.

The Conversion between 3 pin and 5 pin XLR

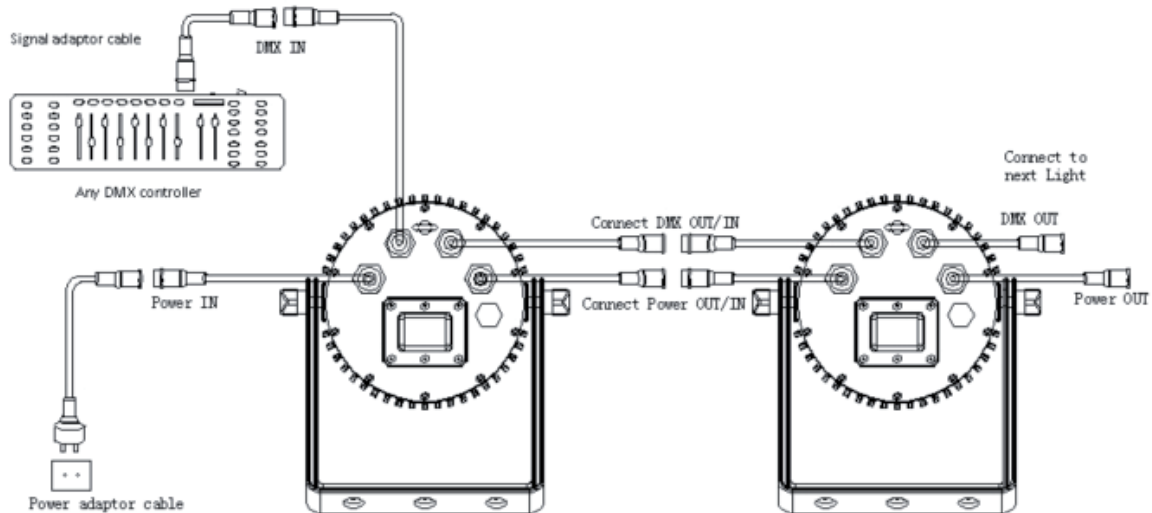
If the output cable of DMX512 controller is the 5PIN, please use 1pc 5PIN to 3PIN cable

3-Pin XLR to 5-Pin XLR Conversion		
Conductor	3-Pin XLR Female (Out)	5-Pin XLR Male (In)
Ground/Shield	Pin 1	Pin 1
Data Compliment (- signal)	Pin 2	Pin 2
Data True (+ signal)	Pin 3	Pin 3
Not Used		Do Not Use
Not Used		Do Not Use

Manual | GUSTO 3x12W RGBAW + UV (6-in-1) IP 65

10. Connecting picture

Light connecting picture



11. Trouble Shooting

Problem	Checking Way
Can not turn on the light	<ul style="list-style-type: none"> • Check the power source plug is in normal or not • Check the switch of the lights is off or on • Check the fuse if in normal
DMX can not control it	<ul style="list-style-type: none"> • Check the DMX cable is connect to the lights or not • Check the DMX512 controller work in normal or not • Check the DMX cable is normal or not • Check if the lights is in DMX mode (A001)
Display not bright	<ul style="list-style-type: none"> • When connect to the electricity, did the led flash one time? If so, the power source is normal; If notm please check if the switch and the transformer has power out • Check if the power input of the IC board is normal • Check if the cable connect to the display loose • Change the main board to see if it is normal. • Chang the display

Manual | GUSTO 3x12W RGBAW + UV (6-in-1) IP 65

LED not light	<ul style="list-style-type: none">• When connect to the electricity, did the led flash one time? If so, the power source is normal; If not, please check if the switch and the transformer has power out• Check if the power input of the IC board is normal• Check if the cable connect to the display loose• Change the main board to see if it is normal.• Chang the display
Some of the LED not light	<ul style="list-style-type: none">• LED is connected by leds in series first, then connect parallel, so please check if the leds is loose• Use the multimeter to check if the led is bright or not, of not, please change the led check whether current limiting resistor is normal or not• Check constant current IC is normal or not (compared with the normal IC)
Single color leds always bright/not bright	<ul style="list-style-type: none">• Check the switch of this color is normal or not• Change the IC control board
Noted: only professional persons can do as above!	

12. Technical Specification

- Input voltage: AC 100V-264V/47-63HZ
- Output voltage: DC12V
- Consume: 36W
- Lamp Type: High Power LED(12W)
- Lamp Spec: 6-in-1 12W (3PCS)
- Life span: 50000~100000hours
- PWM Dimmer: 600HZ (16666 grades)
- Control Signal: DMX512, auto run
- Channel: 7CH, 8CH, 11CH
- Color effect: RGBAW UV mixing
- Function Effect: dimmer, strobe, eotic, gradual change
- Cooling mode: Fan Cooling
- IP rate: IP65
- Bean Angle: 25 degree and 45 degree optional
- Anti-electricity intension:1.5KV
- Insulation Resistance: >2MΩ
- Size:181 x 129.4 x 200.5mm
- Net Weight: 1.8 Kg



Das Lichttechnikhaus Vertriebs GmbH

Rudolf-Diesel-Str. 3, D-89312 Günzburg

Telefon +49 (0) 82 21 207 98-0

Fax +49 (0) 82 21 207 98-69

E-Mail info@lth-gmbh.de

Web www.lth-gmbh.de