



SquareLED - Pit Pony battery

Manual | Pit Pony battery

1. SAFETY INSTRUCTIONS



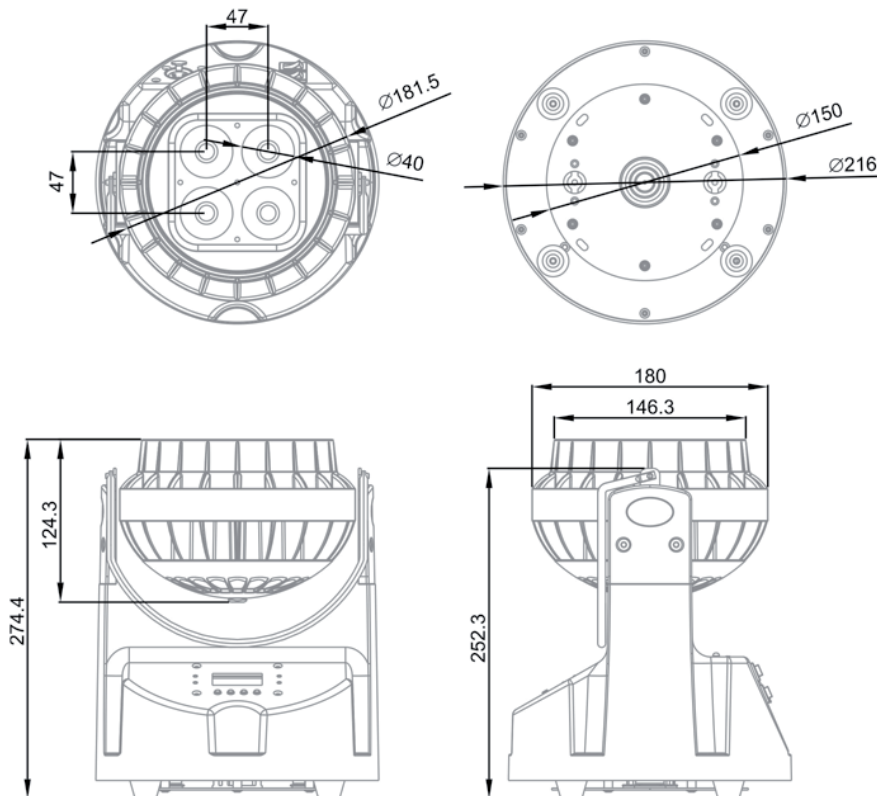
Please read these instructions carefully they include the important information about the installation usage and maintenance of this products

- Please keep this User Manual for future consultation. If you sell the fixture to another user, be sure that they also receive this instruction booklet.
- Unpack and check carefully there is no transportation damage before using the fixture.
- It's important to ground the yellow/green conductor to earth in order to avoid electric shock.
- Disconnect main power before servicing and maintenance.
- The unit must be installed in a location with adequate ventilation, at least 50cm from adjacent surfaces. Be sure that no ventilation slots are blocked.
- Maximum ambient temperature is $T_a : 40^{\circ}\text{C}$. Don't operate it where the temperature is higher than this.
- Unit surface temperature may reach up to 85°C . Don't touch the housing bare-hand during its operation. Turn off the power and allow about 15 minutes for the unit to cool down before replacing or servicing.
- In the event of serious operating problem, stop using the fixture immediately. Never try to repair the fixture by yourself. Repairs carried out by unskilled people can lead to damage or malfunction. Please contact the nearest authorized technical assistance center. Always use the same type spare parts.
- Do not connect the device to any dimmer pack.
- Do not touch any wire during operation and there might be a hazard of electric shock.
- To prevent or reduce the risk of electrical shock or fire, do not expose the fixture to rain or moisture.
- The housing must be replaced if they are visibly damaged.
- Do not look directly at the LED light beam while the fixture is on.
- There are no user serviceable parts inside the fixture. Do not open the housing or attempt any repairs by yourself. In the unlikely event your fixture may require service, please contact your nearest dealer.
- Due to the magnifying type lens, please keep the lens out of contact with direct sunlight. Direct sunlight can cause heat to build up inside of the unit, which will seriously damage unit.

Manual | Pit Pony battery

2. Technical Specifications

- DMX 1/4/5/7 channels switchable.
- Smooth 0~100% dimming and variable strobe speeds.
- Three operation modes: DMX, Master/Slave mode, Sound Active.
- Ideal for discotheques, clubs, bars, parties, Mobile DJs, ect.
- Power Supply: 120~230V 50/60Hz
- Fuse: T 6.3A
- Power consumption: 100W
- LED: 4 PCS CREE 10W RGBW 4 in 1
- Dimension: 274 x 216 x 216 mm
- Weight: 3.5 kgs



3. Installation

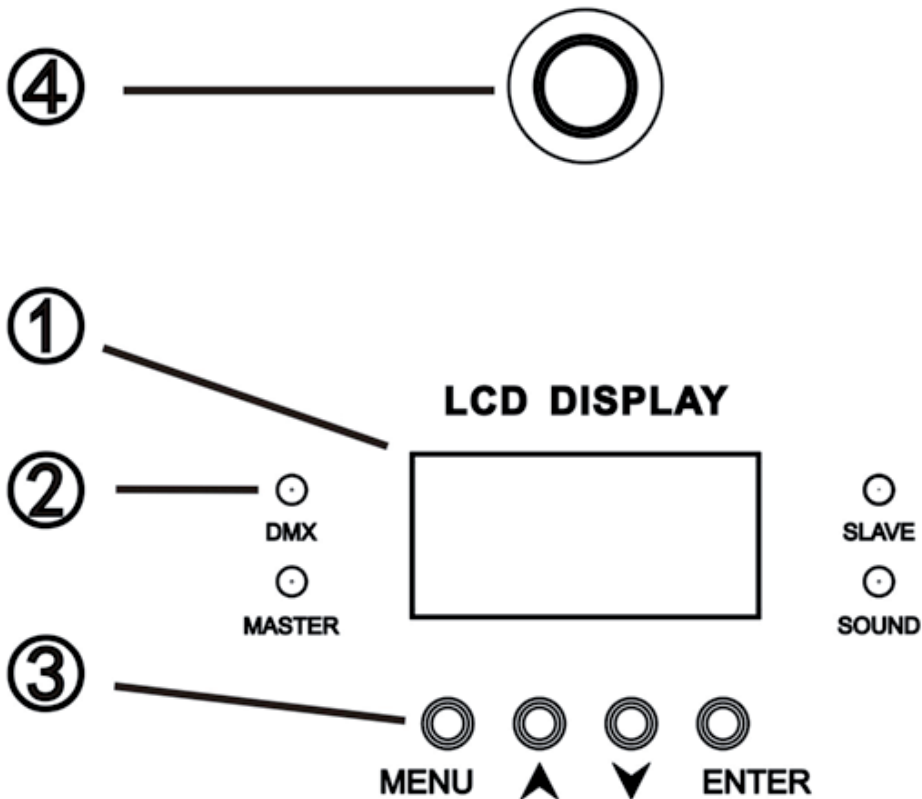
The unit should be mounted via its screw holes on the bracket. Always ensure that the unit is firmly fixed to avoid vibration and slipping while operating. Always ensure that the structure to which you are attaching the unit is secure and is able to support a weight of 10 times of the unit's weight. Also always use a safety cable that can hold 12 times of the weight of the unit when installing the fixture.

The equipment must be fixed by professionals. And it must be fixed at a place where is out of the touch of people and has no one pass by or under it, the range of mounting height is 0~30 M.

Manual | Pit Pony battery

4. How to set the unit

4.1 Rear Panel



- 1 - Display: To show the various menus and the selected functions
- 2 - LED:

DMX/ SLAVE	On	DMX or Slave Mode
MASTER	On	Master Mode
BATTERY	Fast blink	Low battery
	Slow blink	Charging
	On	Full battery
SOUND	Flashing	Sound activation

- 3 - Button:

MENU	To select the programming functions with short press.
DOWN	To go backward in the selected functions
UP	To go forward in the selected functions
ENTER	To confirm the selected functions

Manual | Pit Pony battery

4.2 Main Function

To select any functions, press **MENU** button until the required one is shown on the display. Select the function by **ENTER** button and the display will blink. Use **DOWN** and UP button to change the mode. Once the required mode has been selected, press **ENTER** button to setup or it will automatically return to the main functions without any change after idling 30 seconds. Back to the functions without any change press **MENU** button. The main functions are shown below:

DMX Address	1-512
Channel Mode	1CH 4 CH 5 CH 7 CH
Slave Mode	Show0~Show10
Fade Mode	FadeSp 1~10
Color Mode	Color 1~10
Manual Mode	Red 0 - 100
	Green 0 - 100
	Blue 0 - 100
	White 0 - 100
	Dimmer 0 - 100
	Strobe 0 - 100
DMX Standby	Master
	Slave
	DMX Last
Charging LED SW	LED On
	LED Off
Sound State	Sound mode On - Off
Back Light	On - Off
Auto Test	
Fixture Time	Fixture hours 0 ~ 9999
Firmware Version	V 10

Manual | Pit Pony battery

DMX Address

Select **DMX Address**, press the **ENTER** button to confirm, the present address will blink on the display. Use the **UP** and **DOWN** button to adjust the address from 1 to 512.

Once the address has been selected, press the **ENTER** button to setup, to go back to the functions without any change press the **MENU** button again. Hold and press the **MENU** button about one second or wait for one minute to exit the menu mode.

Channel Mode

Select **Channel Mode**, press the **ENTER** button to confirm, present mode will blink on the display. Use the **DOWN** and **UP** button to select the 1 chan or 4 chan or 5 chan or 7 chan mode.

Once the mode has been selected, press the **ENTER** button to setup, to go back to the functions without any change press the **MENU** button again. Hold and press the **MENU** button about one second or wait for one minute to exit the menu mode.

Show Mode

Select **Show Mode**, press the **ENTER** button to confirm, present mode will blink on the display. Use the **DOWN** and **UP** button to select the Show 0 or Show 1 . . . Show 10 mode.

Once the mode has been selected, press the **ENTER** button to setup, to go back to the functions without any change press the **MENU** button again. Hold and press the **MENU** button about one second or wait for one minute to exit the menu mode.

Fade Mode

Select **Fade Mode**, press the **ENTER** button to confirm, present mode will blink on the display. Use the **DOWN** and **UP** button to select the Fade Sp1 or Fade Sp2 . . . Fade Sp10 mode.

Once the mode has been selected, press the **ENTER** button to setup, to go back to the functions without any change press the **MENU** button again. Hold and press the **MENU** button about one second or wait for one minute to exit the menu mode.

Color Mode

Select **Color Mode**, press the **ENTER** button to confirm, present mode will blink on the display. Use the **DOWN** and **UP** button to select the Color1 or Color 2 . . . Color10 mode.

Once the mode has been selected, press the **ENTER** button to setup, to go back to the functions without any change press the **MENU** button again. Hold and press the **MENU** button about one second or wait for one minute to exit the menu mode.

Manual | Pit Pony battery

Manual Mode

Select **Manual Mode**, press the **ENTER** button to confirm, present mode will blink on the display. Use the **DOWN** and **UP** button to select the Red Green Blue White Dimmer or Strobe. Once selected Strobe, Pressing the **ENTER** button, Use the **DOWN** and **UP** button to change the strobe 0 – 255.

Once selected, press the **ENTER** button to store. If you select Red Green Blue White Dimmer, Pressing the **ENTER** button, Use the **DOWN** and **UP** button to change the dimmer 0 – 255, to go back to the functions without any change press the **MENU** button again. Hold and press the **MENU** button about one second or wait for one minute to exit the menu mode.

DMX Standby

Select **DMX Standby**, press the **ENTER** button to confirm, present mode will blink on the display. Use the **DOWN** and **UP** button to select the **Master** (Master mode) or **Slave** (Slave mode) or **DMX Last** (DMX Last mode).

Once the mode has been selected, press the **ENTER** button to setup, to go back to the functions without any change press the **MENU** button again. Hold and press the **MENU** button about one second or wait for one minute to exit the menu mode.

Charging LED SW

Select **Charging LED SW**, press the **ENTER** button to confirm, present mode will blink on the display. Use the **DOWN** and **UP** button to select the **Charging LED On** or **Charging LED Off** Once the mode has been selected, press the **ENTER** button to setup, to go back to the functions without any change press the **MENU** button again. Hold and press the **MENU** button about one second or wait for one minute to exit the menu mode.

Sound State

Select **Sound State**, press the **ENTER** button to confirm, present mode will blink on the display. Use the **DOWN** and **UP** button to select the **On (sound on)** or **Off (sound off)** mode.

Once the mode has been selected, press the **ENTER** button to setup, to go back to the functions without any change press the **MENU** button again. Hold and press the **MENU** button about one second or wait for one minute to exit the menu mode.

Back Light

Select **Back Light**, press the **ENTER** button to confirm, present mode will blink on the display. Use the **DOWN** and **UP** button to select the **On (Led on)** or **Off (Led off)** mode.

Once the mode has been selected, press the **ENTER** button to setup, to go back to the functions without any change press the **MENU** button again. Hold and press the **MENU** button about one second or wait for one minute.

Manual | Pit Pony battery

Auto-Test

Press the **MENU** button up to when the **Auto-Test** is blinking on the display. Pressing **ENTER** button and the unit will run self-test by built-in program. To go back to the functions press the **MENU** button again. Hold and press the **MENU** button about one second or wait for one minute to exit the menu mode.

Fixture Time

Press the **MENU** button up to when the **Fixture Time** is blinking on the display. Pressing **ENTER** button and the display will show the number of working hours of the unit. To go back to the functions press the **MENU** button again. Hold and press the **MENU** button about one second or wait for one minute to exit the menu mode.

Firmware Version

Press the **MENU** button up to when the **Firmware version** is blinking on the display. Pressing **ENTER** button and the display will show the version of software of the unit. To go back to the functions press the **MENU** button again. Hold and press the **MENU** button about one second or wait for one minute to exit the menu mode.

5. How To Control The Unit

You can operate the unit in two ways, and you can transmit signal of master/slave and dmx control by ways of wired and wireless:

1. By master/slave built-in preprogram function
2. By DMX controller

No need to turn the unit off when you change the DMX address, as new DMX address setting will be affected at once. Each time you turn the unit on, it will show "WB104" on the display. After that the unit will be ready to receive DMX signal or run the built in programs.

5.1 Master/Slave Built In Preprogrammed Function

By linking the units in master/slave connection, the first unit will control the other units to give an automatic, sound activated, synchronized light show.

This function is good when you want an instant show. You have to set the first unit in master mode and select Show Mode or Fade Mode or Color Mode or Manual Mode. Its DMX input jack will have nothing plugged into it, and its master LED will be constantly on and sound LED will flash to the music.

Manual | Pit Pony battery

5.2 DMX Controller

Using universal DMX controller to control the units, you have to set DMX address from 1 to 512 channel so that the units can receive DMX signal.

Press the MENU button up to when the Address is showing on the display. Pressing ENTER button and the display will blink. Use DOWN and UP button to change the DMX512 address. Once the address has been selected, press and keep ENTER button pressed up to when the display stops blinking or storing automatically 8 seconds later. To go back to the functions without any change press the MENU button again. If you use please refer to the following diagram to address your DMX512 channel for the first 4 /2 units.

Channel Mode	Unit 1	Unit 2	Unit 3	Unit 4
1 Channel	1	2	3	4
4 Channel	1	5	9	13
5 Channel	1	6	11	16
7 Channel	1	8	16	23

6. DMX512 Configuration

1-CH Mode

000-007	LED Black Out
008-031	LED Chase 1
032-055	LED Chase 2
056-079	LED Chase 3
080-103	LED Chase 4
104-127	LED Chase 5
128-151	LED Chase 6
152-175	LED Chase 7
176-199	LED Chase 8
200-223	LED Chase 9
224-247	LED Chase 10
248-255	Sound random mode

Manual | Pit Pony battery

4-CH Mode

1CH	000-255	Red dimmer
2CH	000-255	Green dimmer
3CH	000-255	Blue dimmer
4CH	000-255	White dimmer

7-CH Mode

1CH	000-255	Red dimmer
2CH	000-255	Green dimmer
3CH	000-255	Blue dimmer
4CH	000-255	White dimmer
5CH	000-007	No functions
	008-255	Color 1 - Color 32
6CH	000-255	Master dimmer
7CH	000-255	Master Strobe

Manual | Pit Pony battery

7. DMX512 Connections

mode connection:



Termination reduces signal errors and to avoid signal transmission problems and interference. It is always advisable to connect a DXM terminal. (Resistance 120 ohm 1/4W) between pin2(DXM-) and pin3(DXM+) of the last fixture.



- Connect the fixture together in a “daisy chain” by XLR plug cable from the output of the fixture to the input of the next fixture. The cable cannot be branched or split to a “Y” cable. Inadequate or damaged cables, soldered joints or corroded connectors can easily distort the signal and shut down the system.
- The DMX output and input connectors are pass-through to maintain the DMX circuit when one of the units’ power is disconnected.
- At last fixture, the DMX cable has to be terminated with a terminator to reduce signal errors. Solder a 120-ohm 1/4W resistor between pin 2(DMX-) and pin 3(DMX+) into a 3-pin XLR-plug and plug it in the DMX-output of the last fixture.
- Each lighting fixture needs to have an address set to receive the data sent by the controller. The address number is between 0-511 (usually 0 & 1 are equal to 1).
- 3 pin XLR connectors are more popular than 5 pins XLR.
- 3 pin XLR: Pin 1: GND, Pin 2: Negative signal (-), Pin 3: Positive signal (+)
- 5 pin XLR: Pin 1: GND, Pin 2: Negative signal (-), Pin 3: Positive signal (+), Pin 4/5: not used

8. Troubleshooting

Following are a few common problems that may occur during operation. Here are some suggestions for easy troubleshooting:

A. The fixture does not work, no light

- Check the connection of power and main fuse.
- Measure the mains voltage on the main connector.

Manual | Pit Pony battery

B. Not responding to DMX controller

- DMX LED should be on. If not, check DMX connectors, cables to see if link properly.
- If the DMX LED is on and no response to the channel, check the address settings and DMX polarity.
- If you have intermittent DMX signal problems, check the pins on connectors or on PCB of the fixture or the previous one.
- Try to use another DMX controller.
- Check if the DMX cables run near or run alongside to high voltage cables that may cause damage or interference to DMX interface circuit.

C. Some fixtures don't respond to the easy controller

- You may have a break in the DMX cabling.
- Check the LED for the response of the master/ slave mode signal.

D. No response to the sound

- Make sure the fixture does not receive DMX signal.
- Check microphone to see if it is good by tapping the microphone.

E. One of the channels is not working well

- The stepper motor might be damaged or the cable connected to the PCB is broken.
- The motor's drive IC on the PCB might be out of condition.

9. Fixture Cleaning

The cleaning of internal must be carried out periodically to optimize light output. Cleaning frequency depends on the environment in which the fixture operates: damp, smoky or particularly dirty surrounding can cause greater accumulation of dirt on the fixture's optics.

- Clean with soft cloth using normal glass cleaning fluid.
- Always dry the parts carefully.
- Clean the external optics at least every 20 days. Clean the internal optics at least every 30/60 days

Das Lichttechnikhaus Vertriebs GmbH

Rudolf-Diesel-Str. 3, D-89312 Günzburg

Telefon +49 (0) 82 21 207 98-0

Fax +49 (0) 82 21 207 98-69

E-Mail info@lth-gmbh.de

Web www.lth-gmbh.de