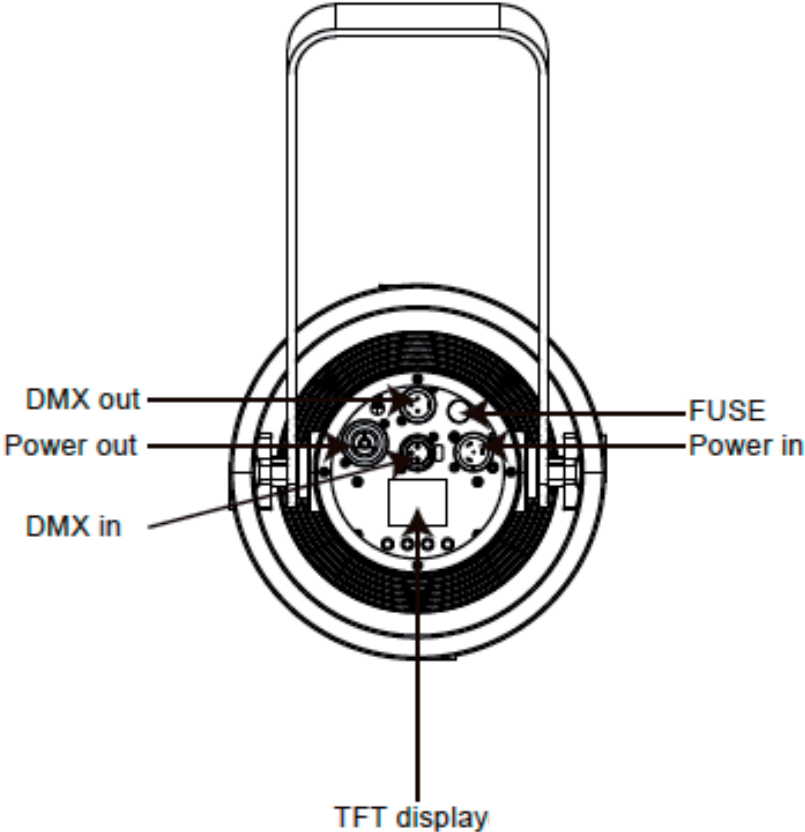
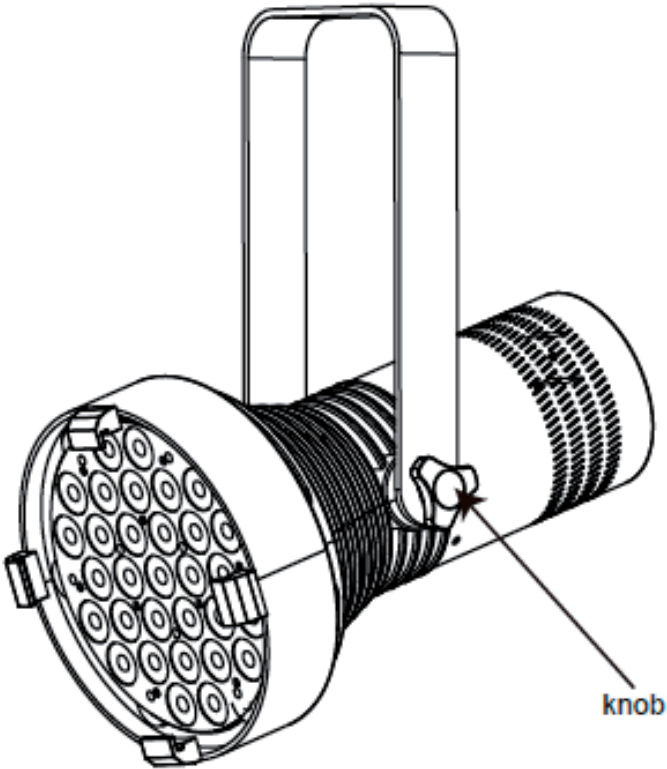




SquareLED - EXPO

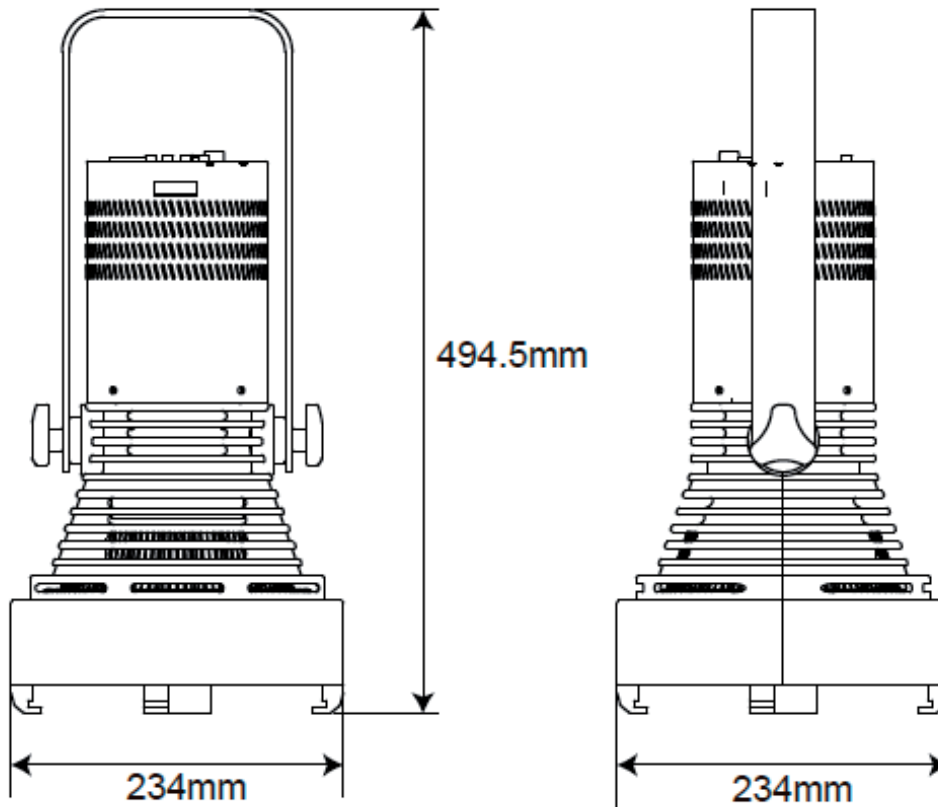
# Manual | EXPO

## Product Overview



# Manual | EXPO

## Mechanical Specification



**Packaging:** Thanks for your purchasing the EXPO. All the lights have been checked and are in excellent operating condition. Please check the shipping carton first, because there may be damage occurred during the shipment. Then check the lights carefully and be sure that the lights is intact and works normally. In the event damage has been found, spare parts are missing or the lights works abnormally, please contact us for further instructions. And please don't return the lights to the dealer before contacting us.

**Introduction:** The EXPO has single operating mode: DMX mode. And the lights has two DMX modes, including channel 1, channel 2

### Warning!

1. Don't expose the lights to rain or moisture, for the sake of preventing the risk of electrical shock or fire.
2. Don't look directly at the opening lights all the time, or it may damage your eyes.

# Manual | EXPO

## Features

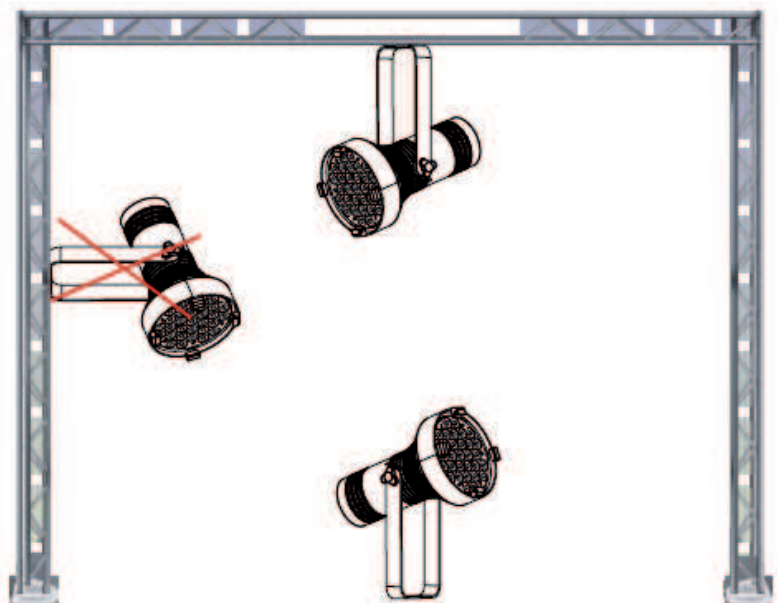
- Light Source: 31\*10W CW LEDs
- Lens: 20°
- Power consumption: 350W
- Voltage: 100V-240V, 50/60Hz
- Run Mode: DMX 512
- DMX Channels: 1 & 2
- Built-in Effect: strobe
- TFT display with four buttons
- Material: Aluminum body
- IP20
- Temperature: -30°C-45°C
- Dimension: 234×494.5 mm
- N.W. : 8.0 KG
- G.W. : 10.0 KG

## Mounting

When installing the unit, the trussing or area of installation must be able to hold 10 times the weight without any deformation. When installing the unit must be secured with a secondary safety attachment, e.g. and appropriate safety cable. Never stand directly below the unit when mounting, removing, or servicing the unit.

Overhead mounting requires extensive experience, including calculating working load limits, installation material being used, and periodic safety inspection of all installation material and unit. If you lack these qualifications, do not attempt the installation yourself. The installation should be checked by a skilled person once a year.

The EXPO is fully operational in two different mounting positions, hanging upside-down from a ceiling or set on a flat level surface. To avoid internal damage to the unit, never mount the unit on its side as illustrated above. Be sure this fixture is kept at least 0.5m away from any flammable materials (decoration etc.). And you'd better use and install the supplied safety cable as a safety measure to prevent accidental damage and/or injury in the event the clamp fails (see next page).



# Manual | EXPO

## DMX control mode

### DMX 1 channel

channel	value	function
1	0 - 255	Adjust CW All LED dimmer

### DMX 2 channel

channel	value	function
1	0 - 255	Adjust CW All LED dimmer
2	0 - 8	NO function
	9 - 255	Strobe(from slow to fast)

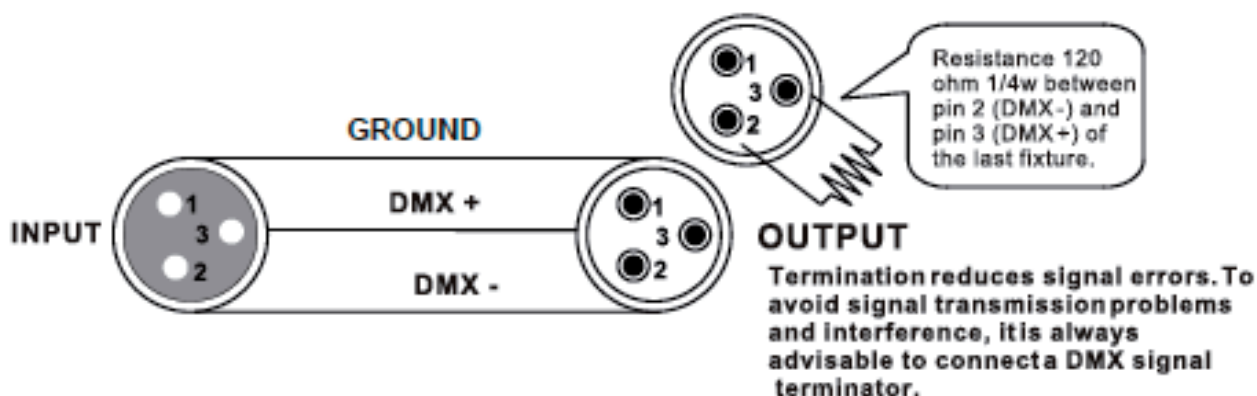
Display	Function Description
DMX-2 D: 001	2 Channel address code, (001—512) B、C Key increase or decrease the address code value
DMX--1 D: 001	1 Channel address code, (001—512) B、C Key increase or decrease the address code value
Color W D: 255	W Color selection, (000—255) B、C Key modify the color

# Manual | EXPO

## 10. CABLE CONNECTORS

Cabling must have a male XLR connector on one end and a female XLR connector on the other end.

### DMX connector configuration



**Caution:** Do not allow contact between the ground and the fixture's chassis ground. Grounding the ground can cause a ground loop, and your fixture may perform erratically. Test cables with an ohm meter to verify positive pole and to make sure the pins are not grounded or shorted to the shield or each other.

### 3-PIN TO 5-PIN CONVERSION CHART

#### Note!

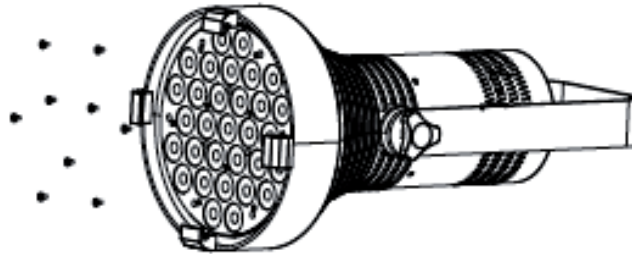
If you use a controller with a 5 pin DMX output connector, you need to use a 5 pin to 3 pin adapter. The chart below details a proper cable conversion:

3-PIN TO 5-PIN CONVERSION CHART		
Conductor	3 Pin Female (output)	5 Pin Male (Input)
Ground/Shield	Pin 1	Pin 1
Data ( - ) signal	Pin 2	Pin 2
Data ( + ) signal	Pin 3	Pin 3
Do not use		Do not use
Do not use		Do not use

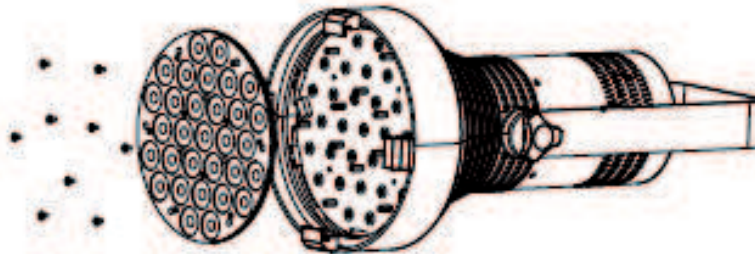
# Manual | EXPO

## Change LED board

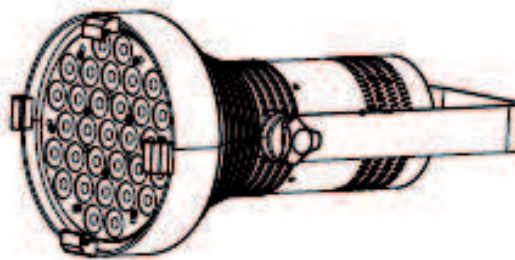
1. Remove the nine screws on the light panel with a screwdriver.



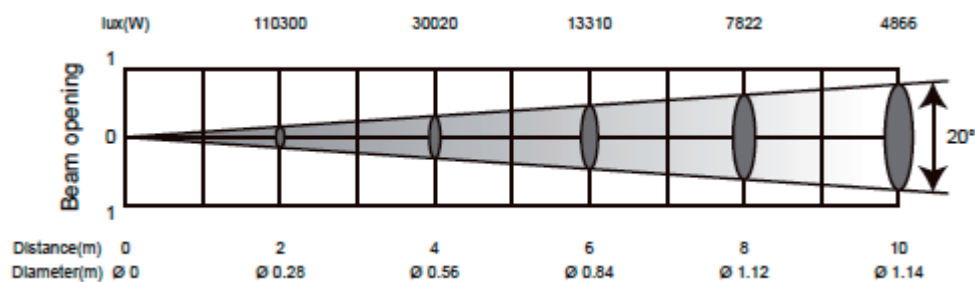
2. Take down the whole light panel.



3. And then install the whole light panel of 20 degree.



## Photometric Data



## **Das Lichttechnikhaus Vertriebs GmbH**

Rudolf-Diesel-Str. 3, D-89312 Günzburg

Telefon +49 (0) 82 21 207 98-0

Fax +49 (0) 82 21 207 98-69

E-Mail [info@lth-gmbh.de](mailto:info@lth-gmbh.de)

Web [www.lth-gmbh.de](http://www.lth-gmbh.de)