



SquareLED - Othello

Manual | Othello

1. Safety Warning

Squareled products are designed and manufactured to meet the requirements of People's Republic of China and international safety regulations. Modifications to the product could affect safety and render the product non-compliant to relevant safety standards. Instructions pertaining to continued protection against fire, electric shock, and injury to persons are found throughout this manual. Please read all instructions prior to assembling, mounting, and operating this equipment.

IMPORTANT

ALWAYS READ THE USER MANUAL BEFORE OPERATION. PLEASE CONFIRM THAT THE POWER SUPPLY STATED ON THE PRODUCT IS THE SAME AS THE MAINS POWER SUPPLY IN YOUR AREA.

- This product must be installed by a qualified professional.
- Always operate the equipment as described in the user manual.
- A minimum distance of 0.5m must be maintained between the equipment and combustible surface.
- The product must always be placed in a well ventilated area.
- Always make sure that the equipment is installed securely.
- DO NOT stand close to the equipment and stare directly into the LED light source.
- Always disconnect the power supply before attempting and maintenance.
- Always make sure that the supporting structure is solid and can support the combined weight of the products.

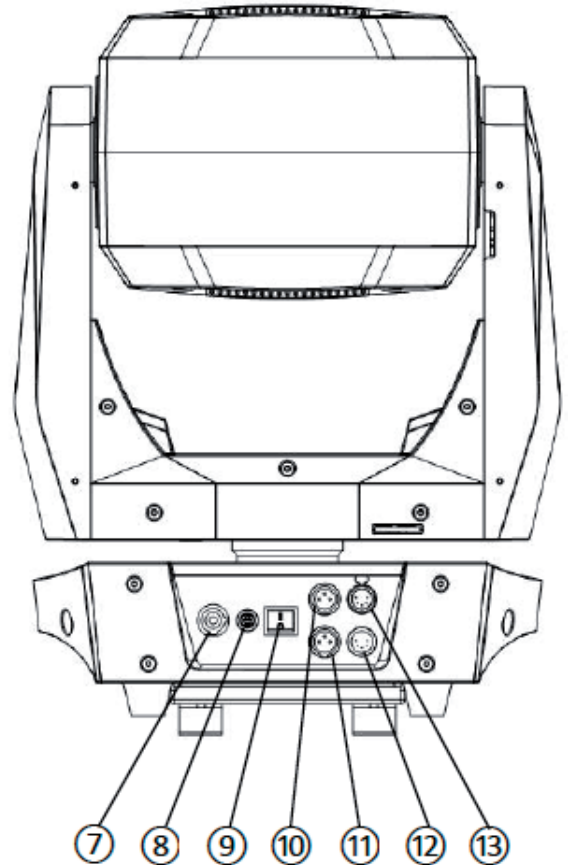
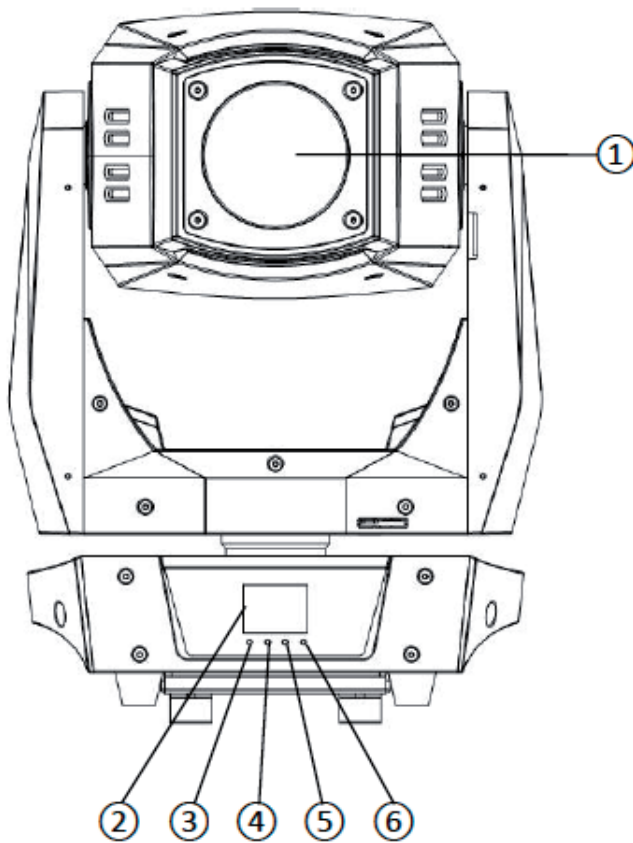
ATTENTION

This product left the place of manufacturer in perfect condition. In order to maintain this condition and for safe operation, the user must always follow the instructions and safety warnings described in this user manual.

- Avoid shaking or strong impacts to any part of the equipment.
- Make sure that all parts of the equipment are kept clean and free of dust.
- Always make sure that the power connections are connected correct and secure.
- If there is any malfunction of the equipment, contact us immediately.
- When transferring the product, it is advisable to use the original packaging in which the product left the factory.
- Shields, lenses or ultraviolet screens shall be changed if they have become damaged to such an extent that their effectiveness is not conformable.

Manual | Othello

2. Fixture Overview



1) Lens

2) LCD display

3) Menu-button

4) Down-button

5) Up-button

6) Enter-button

7) PowerCon in

8) Fuse

9) Switch

10) DMX 3-pin out

11) DMX 3-pin in

12) DMX 5-pin in

13) DMX 5-pin out

Manual | Othello

3. Features

Othello is a low power high output LED moving head. An incredibly efficient 480W white LED engine, provides output comparable with traditional 1200W discharge lamp fixtures.

- Source: 480W White LED
- CT: 6500K
- Life: >20,000 hrs
- Power supply: AC 100-240V, 50/60Hz
- Power consumption: 650W
- Color: 1 Color Wheel with 7 dichroic filters plus open, full and split gels function, two directional rainbow effects. CMY variable color mixing for infinite color possibilities. CTO color temperature linear change.
- Gobo: 2 rotating Gobo Wheels, each one has 6 interchangeable glass gobos plus open. Index, shake and bi-directional rotation at variable speed.
- Zoom: 13-37° linear zoom
- Focus: Motorized, auto focus function
- Iris: Step-less, 5-100% linear change iris with pulse effects
- Prism: 3-facet circular rotating prism
- Frost: 1 frost filter
- Dimmer: 0-100% smoothly adjustable
- Strobe: 0-20 Hz variable speed, pulse and random strobe
- Pan/Tilt: 540°/270°, 16 bit resolution, position memory, auto correction after unexpected movement.
- Control mode: DMX512, Manual
- DMX channel: 26/33
- Net weight: 32 Kgs
- Dimension: 708x410x308 mm

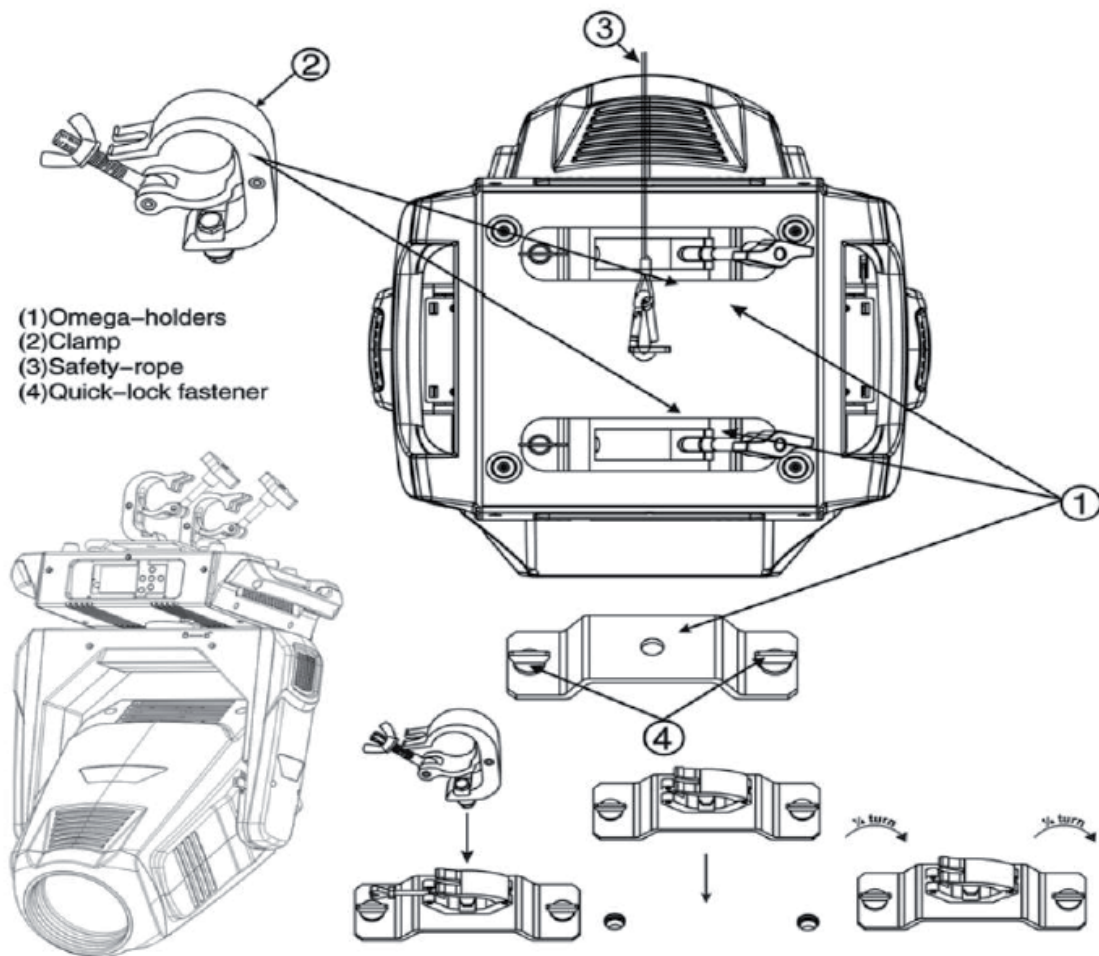
4. Installation Instructions

- The installation must always be secured with a secondary safety attachment, e.g. an appropriate safety cable.
- Never stand directly below the device when mounting, removing or servicing the fixture.
- The operator has to make sure the safety and technical installations are approved by an expert before taking using this fixture in the field for the first time.
- Fixed installations must be inspected by a skilled person on a regular basis.
- Overhead mounting requires extensive experience, including amongst others calculating working load limits, installation material being used, and periodic safety inspection of all installation material and the device. If you lack these qualifications, do not attempt the installation yourself. Improper installation can result in serious bodily injury.

Manual | Othello

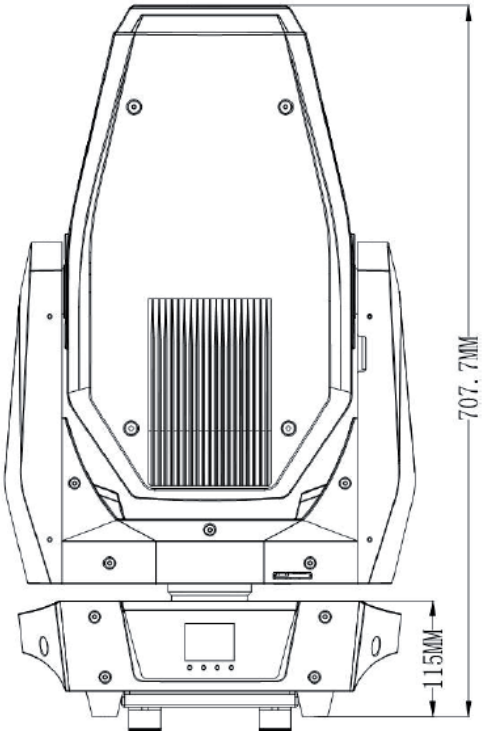
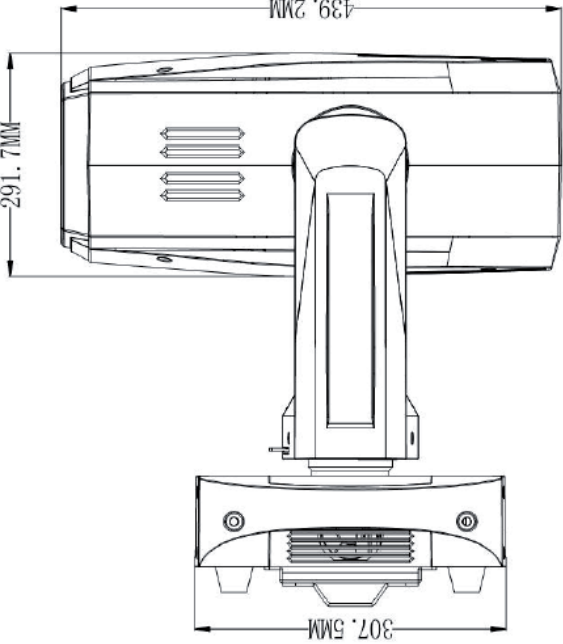
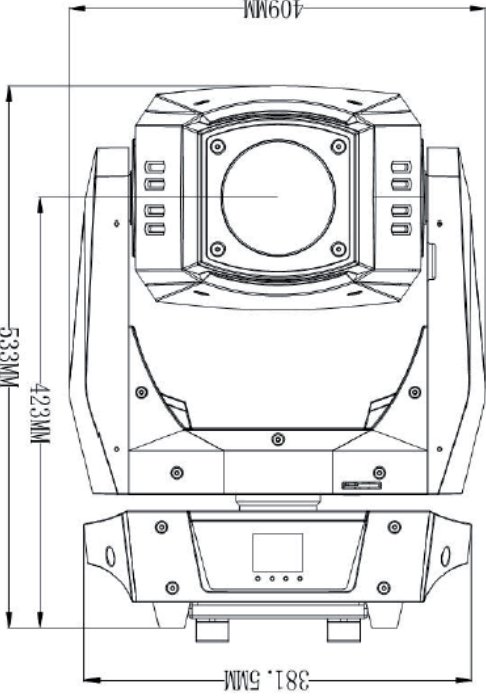
Attachment Instructions

- Attach the Omega clamp on the bracket by tighten the M12 bolt on the bracket to the hole in the middle of the bracket.
- Insert the quick-lock fasteners of the bracket into the respective holes on the bottom of the fixture.
- Tighten the quick-lock fasteners fully clockwise.
- Install the second Omega clamp.
- Attach the safety-cable through the holes on the bottom of the base. Attach to the trussing system or other safe fixation point.
- Be sure the safety is fully looped, the quick-link is attached and fully tighten.
- Inspect for complete attachment before lifting over-head.



Manual | Othello

5. Dimensional Drawings

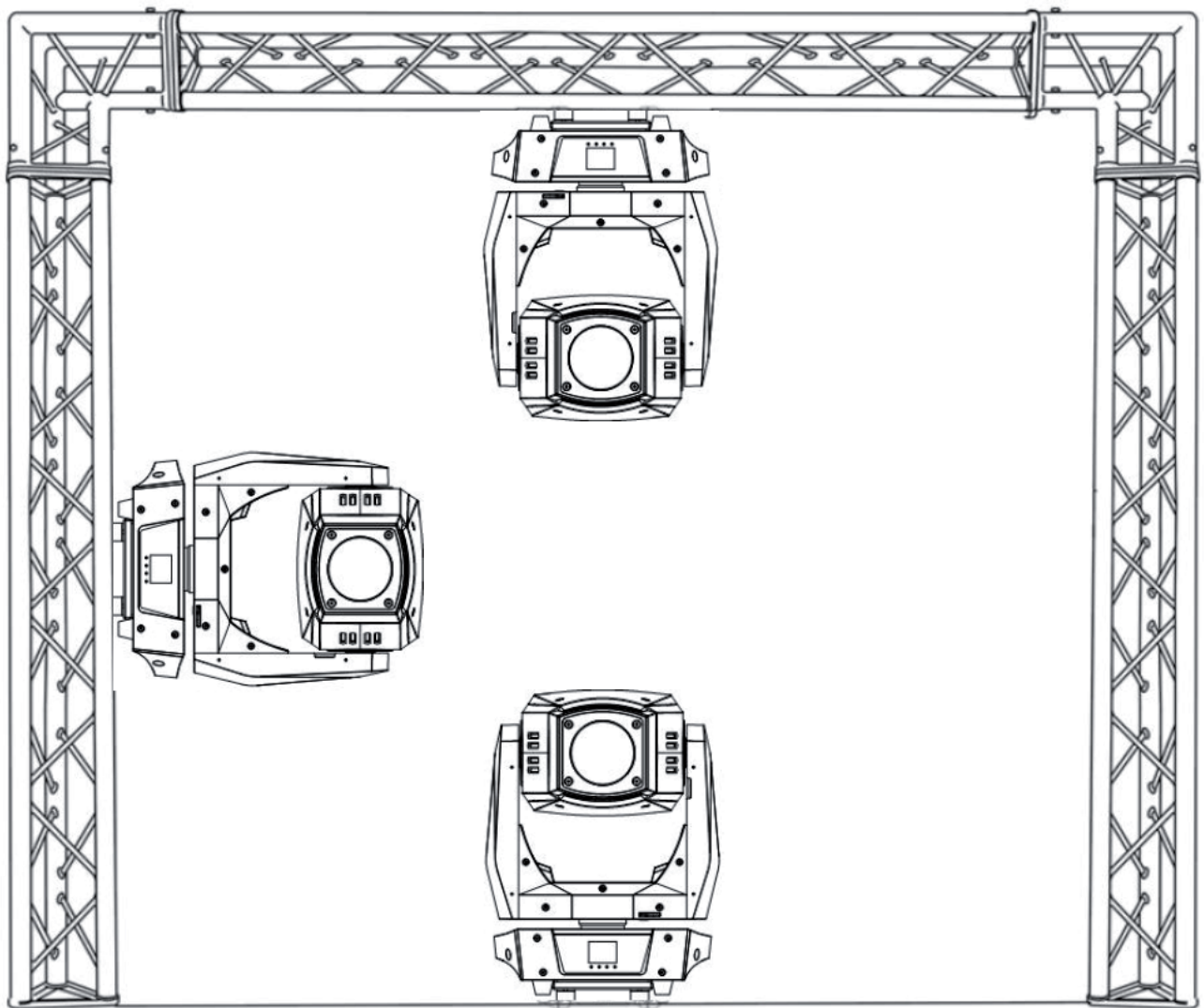


Manual | Othello

6. Mounting Orientations

Be sure this fixture is kept at least 0.5m (1.6ft) away from any flammable materials (decoration etc.). Always use and install the supplied safety cable as a safety measure to prevent accidental damage and/or injury in the event the clamp is improperly installed or fails.

Overhead mounting requires extensive experience, including amongst others calculating working load limits, a detailed knowledge of the installation materials being used, and periodic safety inspection. This safety inspection must cover all installation material, trussing, hardware and the fixture. If you lack these qualifications, do not attempt the installation yourself. Improper installation can result in sever injury and possible death if struck by a falling fixture.



Manual | Othello

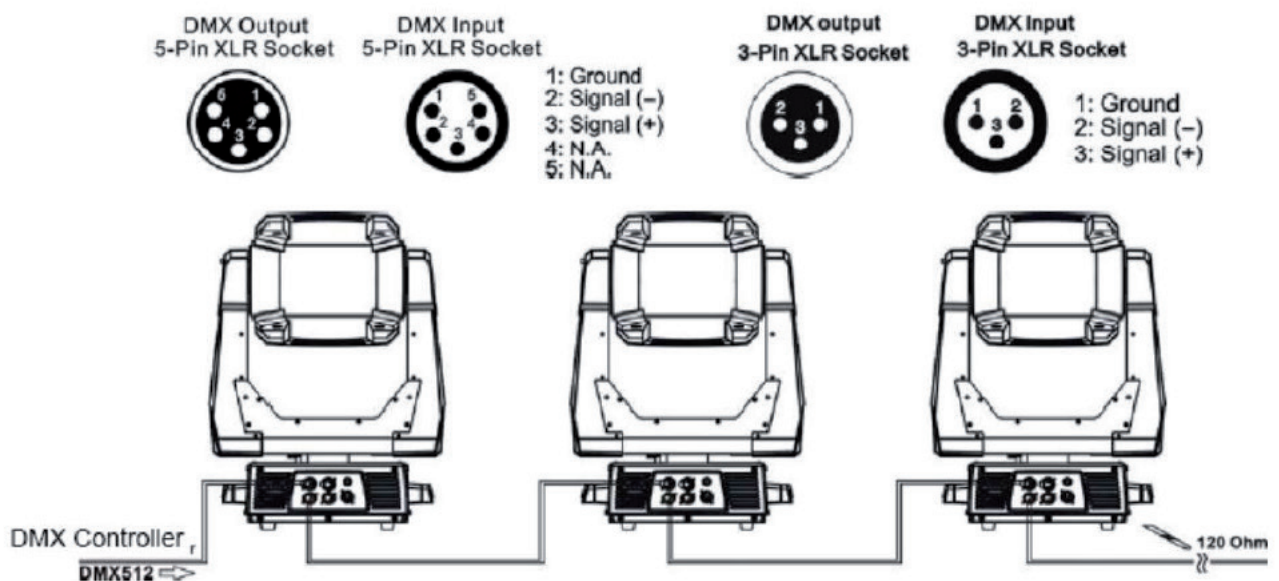
7. Linking Fixtures

The Othello fixture operates on standard DMX512 link controlled by a DMX console. The number of fixtures on a link will be determined by the combined number of channels required by all the fixtures. An Othello fixture requires a 26/33 channel footprint on a standard DMX512 link. Attach the fixture to the link using data-grade cable and 5-pin or 3-pin XLR cable connectors.

Cable Connectors

The Othello fixture accepts both 3-pin and 5-pin XLR cable connectors. Cabling must have a male XLR connector on one end of the cable and a female XLR connector on the other end.

To link one or more fixtures to a DMX controller:



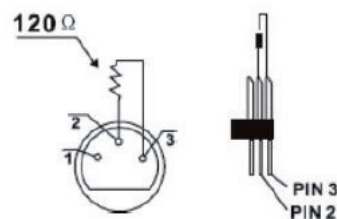
- Connect the male XLR connector of a DMX Data cable to the controller's DMX Data Outconnector.
- Connect the Data cable's female XLR connector to the Data In connector of the first (or next) fixture on the DMX link.
- Continue linking the remaining fixtures connecting a cable from the Data Out connector of each fixture to the Data In connector of the next fixture on the link.

Manual | Othello

DMX Terminator

For installations where the DMX cable has to run a long distance or is in an electrically noisy environment, a DMX terminator on the last fixture of the link prevents data reflection, which can corrupt the data communication on the link.

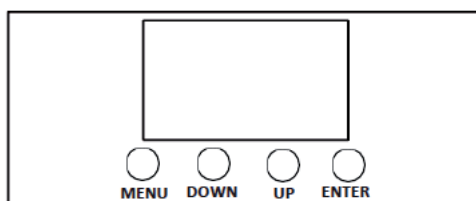
Terminate the link by installing a 120 ohm, 1/4 watt (minimum) terminator in the fixture's Data Out (female) cable connector in the last fixture on each DMX link.



8. Fixture Control Board

Using the Control Board to set the starting DMX address or make other settings. The functions provided are described in the following sections.

- (MENU) Scroll through the main menu or exit from the current sub-menu.
- (DOWN) Scroll, 'DOWN' through the menu list or decrease the value of the current function.
- (UP) Scroll, 'UP' through the menu list or increase the value of the current function.
- (ENTER) Enter the currently selected menu or confirm the current function value.



Address	001-512	DMX address setting	
Fixture	Channel Mode	Standard	33Chs
		Reduced	26Chs
	Pan/Tilt	Invert Pan	Off/On
		Invert Tilt	Off/On
		Swap Pan-Tilt	Off/On
	Curve	Curve 1	Optional dimmer curves
		Curve 2	
Curve 3			

Manual | Othello

Manual	Reset	Head Reset	Reset except P/T
		Pan/Tilt Reset	Reset only P/T
		All Reset	Reset whole light
	Channel	For manual control of the attribute channels	
Auto Test	Stop	Auto test programs , in order to test the functional components of the fixture, the default status is "Stop".	
	Auto program 1		
	Auto program 2		
	Auto program 3		
System	Language	Chinese/English	
	Backlight Setting	Auto/Keep On	
	Display	Normal/Invert	
	Factory Reset	OK/Cancel	
Information	Device/Lamp	Usage information of the fixture	

9. Channel Assignments

This product have two DMX512 channel configuration: (Standard) and (Reduced).

Mode/Channel		Value	Function
Reduced	Standard		
1	1		Pan
		0-255	0-100%
2	2		Tilt
		0-255	0-100%
3	3		Pan fine
		0-255	0-100%
4	4		Tilt fine
		0-255	0-100%
5	5		Pan/Tilt Speed
		0-255	Fast -> Slow
6	6		Dimmer
		0-255	0-100%

Manual | Othello

	7		Dimmer fine
		0-255	0-100%
			Strobe/Shutter
		0-3	Close
		4-103	Strobe Slow -> Fast
		104-107	Open
		108-207	Pulse: Slow -> Fast
		208-212	Open
		213-251	Random
		252-255	Open
			Color
		0-7	Blank
		8-15	Color 1
		16-23	Color 2
		24-31	Color 3
		32-39	Color 4
		40-47	Color 5
		48-55	Color 6
		56-63	Color 7
		64-71	Blank + Color 1
		72-79	Color 1 + Color 2
		80-87	Color 2 + Color 3
		88-95	Color 3 + Color 4
		96-103	Color 4 + Color 5
		104-111	Color 5 + Color 6
		112-119	Color 6 + Color 7
		120-127	Color 7 + Blank
		128-189	Rotation(CW): Fast -> Slow
		190-193	Stop
		194-255	Rotation(CCW): Slow -> Fast
9	10		Gobo 1
9	10	0-9	Blank
9	10	10-19	Gobo 1

Manual | Othello

9	10	20-29	Gobo 2
		30-39	Gobo 3
		40-49	Gobo 4
		50-59	Gobo 5
		60-69	Gobo 6
		70-79	Gobo 1 Shake: Slow -> Fast
		80-89	Gobo 2 Shake: Slow -> Fast
		90-99	Gobo 3 Shake: Slow -> Fast
		100-109	Gobo 4 Shake: Slow -> Fast
		110-119	Gobo 5 Shake: Slow -> Fast
		120-129	Gobo 6 Shake: Slow -> Fast
		130-190	Rotation(CW): Fast -> Slow
		191-194	Stop
		195-255	Rotation(CCW): Slow -> Fast
10	11		Gobo1 Rotating
		0-127	Gobo1 Position
		128-191	Gobo1 Rotation(CW): Fast->Slow
		192-255	Gobo1 Rotation(CCW): Slow-> Fast
11	12		Gobo 2
		0-9	Blank
		10-19	Gobo 1
		20-29	Gobo 2
		30-39	Gobo 3
		40-49	Gobo 4
		50-59	Gobo 5
		60-69	Gobo 6
		70-79	Gobo 1 Shake: Slow -> Fast
		80-89	Gobo 2 Shake: Slow -> Fast
		90-99	Gobo 3 Shake: Slow -> Fast
		100-109	Gobo 4 Shake: Slow -> Fast
		110-119	Gobo 5 Shake: Slow -> Fast
		120-129	Gobo 6 Shake: Slow -> Fast
		130-190	Rotation(CW): Fast -> Slow

Manual | Othello

11	12	191-194	Stop
		195-255	Rotation(CCW): Slow -> Fast
12	13		Gobo2 Rotating
		0-127	Gobo2 Position
		128-191	Gobo2 Rotation(CW): Fast->Slow
		192-255	Gobo2 Rotation(CCW): Slow-> Fast
13	14		Focus
		0-255	0-100%
	15		Focus fine
		0-255	0-100%
14	16		Auto focus
		0-31	Auto Focus Disable
		32-59	Auto Focus 5m
		60-87	Auto Focus 6m
		88-115	Auto Focus 7m
		116-143	Auto Focus 8m
		144-171	Auto Focus 10m
		172-199	Auto Focus 12m
		200-227	Auto Focus 14m
		228-255	Auto Focus 17m
15	17		Zoom
		0-255	0-100%
	18		Zoom fine
		0-255	0-100%
16	19		Prism
		0-127	Prism out
		128-255	Prism in to the light beam
17	20		Prism Rotate
		0-127	Prism Position
		128-191	Rotation(CW): Fast -> Slow
		192-255	Rotation(CCW): Slow -> Fast
18	21		Iris
		0-255	0-100%

Manual | Othello

19	22		Frost
		0-255	0-100%
20	23		CMY Function
		0-127	Unused
		128-255	CMY Fade
21	24		CMY Speed
		0-255	0-100%
22	25		Cyan
		0-255	0-100%
	26		Cyan fine
		0-255	0-100%
23	27		Magenta
		0-255	0-100%
	28		Magenta fine
		0-255	0-100%
24	29		Yellow
		0-255	0-100%
	30		Yellow fine
		0-255	0-100%
25	31		CTO
		0-255	0-100%
	32		CTO fine
		0-255	0-100%
26	33		Reset
		0-99	Unused
		100-150	Pan/Tilt Reset
		151-200	Head Reset
		201-255	Complete Reset

Das Lichttechnikhaus Vertriebs GmbH

Rudolf-Diesel-Str. 3, D-89312 Günzburg

Telefon +49 (0) 82 21 207 98-0

Fax +49 (0) 82 21 207 98-69

E-Mail info@lth-gmbh.de

Web www.lth-gmbh.de