



series400 dimming bar

Instruction Manual

Model:

DDP-BAR4	4-way dimming bar
DDP-BAR6	6-way dimming bar

ATTENTION!

This instruction manual contains important information about the installation and the use of equipment. Please read and follow these instructions carefully. Always ensure that the power to equipment is disconnected before opening the equipment or commencing any maintenance work.

IMPORTANT SAFETY INFORMATION

All safety and operating instructions should be read before the equipment is installed or operated.

The following general safety precautions have to be observed during all phases of operation, service, and repair of this equipment. Failure to comply with these precautions or with specific warnings in this manual violates safety standards of design, manufacture, and intended use of this equipment.

Do not operate in an explosive atmosphere!

Do not operate this equipment in the presence of flammable gases or fumes. Operation of any electrical instrument in such an environment constitutes a definite safety hazard. Do not operate this equipment near water or in areas with wet floors, or in a high humidity atmosphere. It should never be placed near or over a heat register or other source of heated air or it should not be installed or operated without proper ventilation.

Power connections

This equipment must be earthed.

Let the equipment adapt to the environment for at least 10 minutes after unpacking.

Output connection

The output terminals are located on the front panel of the dimmer. Live, neutral and earth connections should be done to all load equipment.

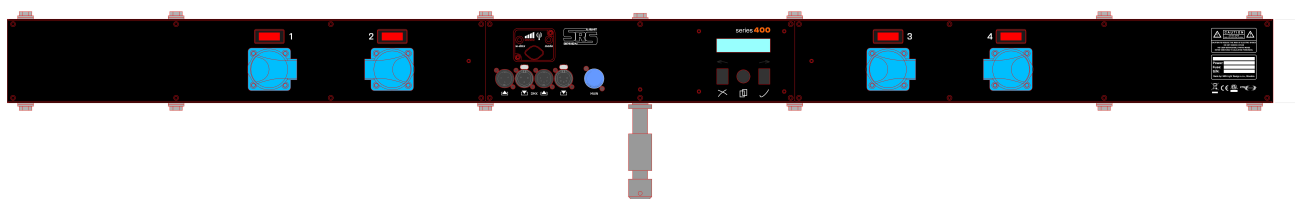
The DDP-BAR4 unit is a 4-channel dimmer for dimming of 1kW power PAR lights on each output. It should be controlled by a DMX console via standard 3 or 5pin DMX connectors or via the Wireless DMX connection port. This unit is ideal for applications requiring to use a small device without a dimmer pack or to have a DMX installation via wireless connection.



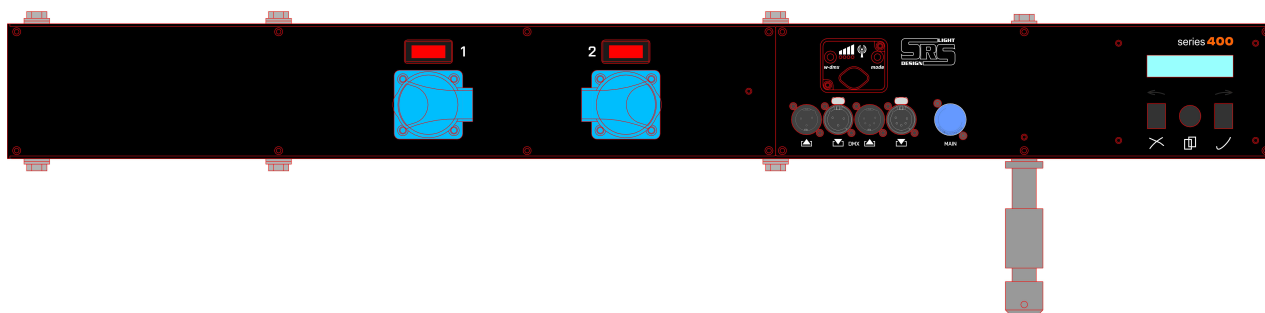
Features:

- **Four outputs secured with mini MCB**
- **Convectional cooling without fan**
- **Wide setup options /limits, preheat, curves/**
- **Single-phase operation**
- **W-DMX bargraph**
- **Easy setup using display and encoder**
- **Multiple options of output connectors**
- **Optional 1P+N protection**
- **Optional 3-phase operation**

Front view:



Detailed front view:



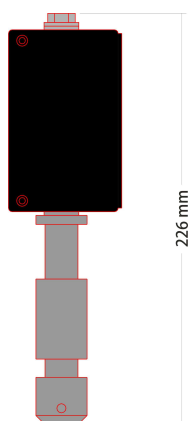
- PowerCon input AC230/400V, 20A max or PG cable entry
- DMX input/output via NC3/NC5 DMX input/output connector
- Wireless DMX module
- Mini MCBs
- Spigot with M10
- 12x M10 mounting point for PAR lights

Top/bottom panel:



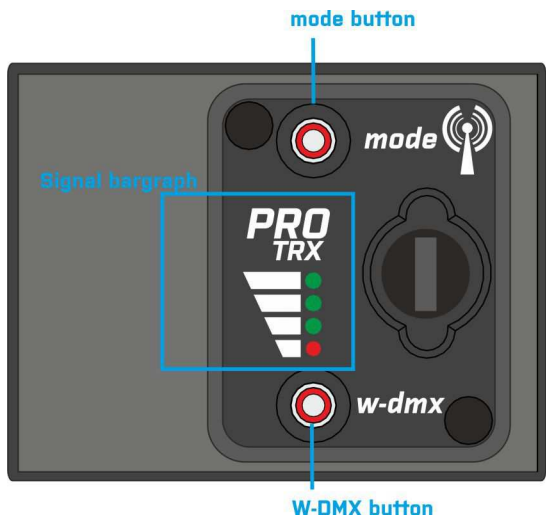
- 6x M10 mounting point for PAR lights or C/clamp
- 1x spigot M10 connection
- 2x secure wire mounting point

Side view:



1. Operation modes

DMX operation



For DMX operation, turn off the W-DMX module by holding the MODE button. The MODE button should be RED.

Connect the DMX cable to DMX-IN connector and control the DDP-BAR4 with DMX connected to the DMX port or with manual operation via menu.

Wireless DMX/DMX operation

For the W-DMX/DMX operation, turn the W-DMX module on by holding the MODE button. MODE button should light GREEN, W-DMX button shows the state of W-DMX receiver.

There is an automatic back-up of the W-DMX line using the cable connection. If the W-DMX is linked to the transmitter and the signal quality is poor, the DDP-BAR4 will be controlled from cable DMX signal in/thru port. In normal state, when the W-DMX signal quality is good, the DDP-BAR4 will be controlled from Wireless DMX connection

The W-DMX button has only one function – logging off from the linked transmitter.

W-DMX LED signalization in the Receiver mode:

Not linked to any Transmitter



Linked to Transmitter + Missing DMX on Transmitter



Linked to Transmitter + Receiving DMX



Receiver Mode unlinked

MODE LED is GREEN and the receiver W-DMX LED is RED. The bargraph does not show the signal strength.

Receiver Mode linked

MODE LED is GREEN and the receiver W-DMX LED is RED or GREEN according to the DMX connection on the Transmitter's side. The bargraph shows the signal strength.

2. Navigation menu

The first menu indicates the DMX start address, the DMX status, the temperature inside of the dimmer and the main voltage.

DMX status:

NC DMX is not connected
ER swap 2/3 on the DMX cable
OK DMX is OK

DMX:216-NC T:37C
230V

DMX:216-OK T:37C
230V

DMX:216-ER T:37C
230V

Temperature status:

Number shows the temperature of dimmer in °C
OL! Warning: The temperature inside of the dimmer is higher than 75°C.
Outputs are switched off.

DMX:216-OK T:37C
230V

DMX:216-OK T:OL!
230V

Roll the encoder to see the output bar graph.



Menu navigation:

Press the Encoder to enter the main menu.

Roll the Encoder and select one of the following items by pressing it:

1. START ADDRESS
2. PREHEAT
3. CURVE
4. AUTOMATIC TEST
5. LOCK CONTROLS
6. LIMIT OUTPUTS
7. SETUP /to enter the SETUP, press the ESC and ENTER buttons at the same time/
 1. DMX MODE
 2. ANALOGUE MODE
 3. MANUAL MODE
 4. MIX MODE
 5. PATCH
 6. SCENE
 7. LOST DMX
 8. FACTORY RESET

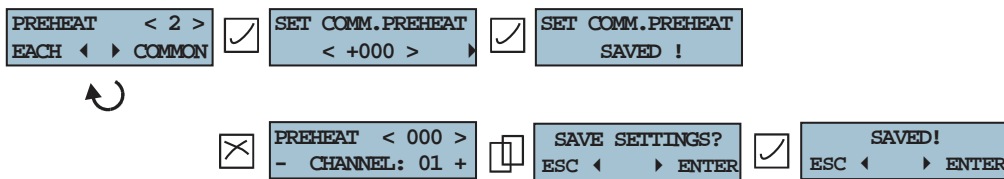
3.1 Set the DMX address



Press the ENTER button.

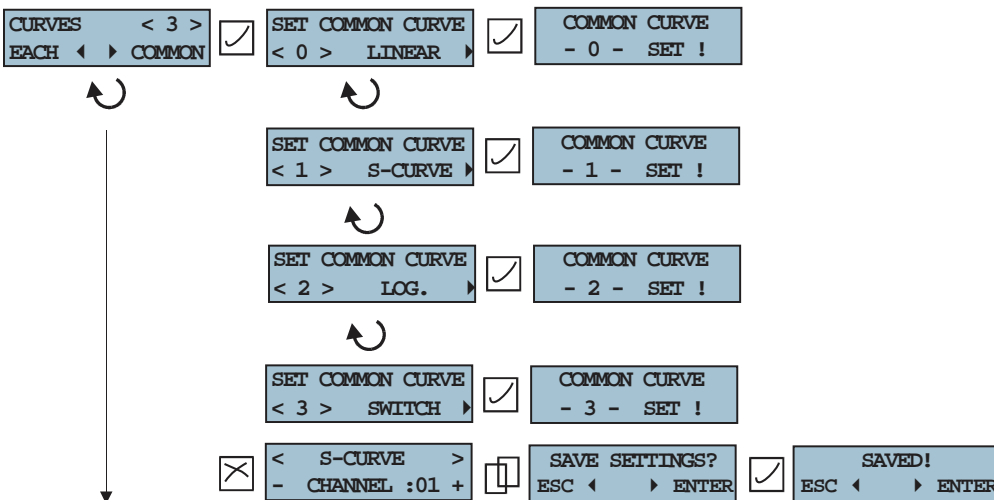
Roll the Encoder and set the DMX start address - [001-512].
Press the ENTER button to confirm.

3.2 Preheat



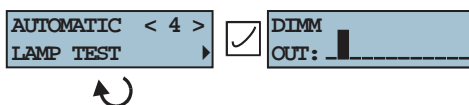
Press the left button to select the preheat for each channel individually or the right button to set one common preheat for all channels. If necessary, you can use preheat 0-100% for a fast control of the dimmer output.

3.3 Dimmer curves



Press the left button to select the curves for each channel individually or the right button to set one common set of curves for all channels.

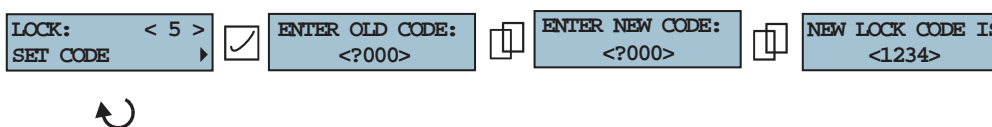
3.4 Automatic lamp test



Press the ENTER button to start the test.

Each channel will be tested by increasing/decreasing the output value per channel.

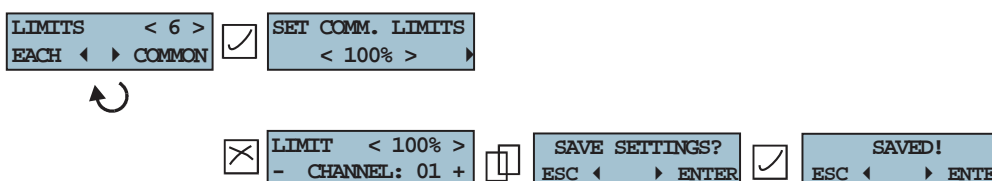
3.5 Lock Code



Enter the old code [factory setting is 0000]. Press the Encoder /MENU/ button.

Enter a new code and press the Encoder /MENU/ button. The new code is now saved. To lock the menu, press both buttons at the same time. To unlock the menu, press the Encoder /MENU/ and enter the code. The menu is now unlocked. If you need to restore the code, please ask for service manual.

3.6 Limits



Press the left button to select the limit for each channel individually or the right button to set one common limit for all channels. Limit 100% means that output will go to 100%. Limit 50% means that outputs will go to 50% maximum. You can set the limit from 0-100%.

3.5 Setup



Press the ESC and ENTER buttons at the same time to enter the SETUP MODE.

The dimmer has six modes of control:

- DMX mode /controlled by DMX/
- Analogue mode /controlled by 0-10V/
- Manual mode /controlled by menu of dimmer/
- Mix input mode /LTP or HTP rule/
- Patch mode
- Scene control

DMX mode



Roll the Encoder and set the DMX address - [001-512].

Press the ENTER button to confirm.

The dimmer works only with the DMX input now.

Analog mode



Press the ENTER button.
The dimmer works only with 0-10V control now.

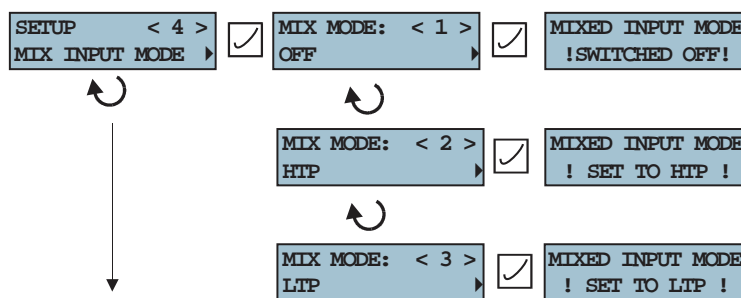
Note: Some devices that are not equipped with analogue port will not work in analogue mode. Consult more options with your dealer or manufacturer.

Manual mode



Press the ENTER button.
The dimmer works only with manual control now. You can set output channel per channel.

Mix mode



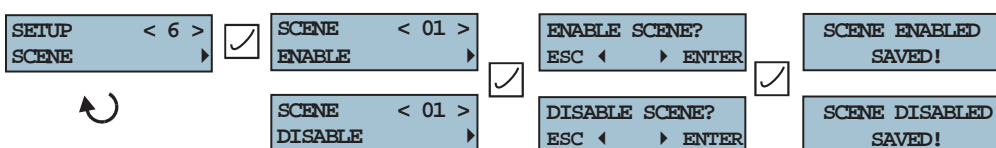
The dimmer is switched to the HTP or LTP mix mode now. In this mode, the dimmer is controlled via DMX and 0-10V input at same time.

Patch mode



Press the right button to select the dimmer channel. Press the left button to select the control mode (DMX, analogue or manual mode) for each channel. Use the Encoder to assign control mode for each channel.

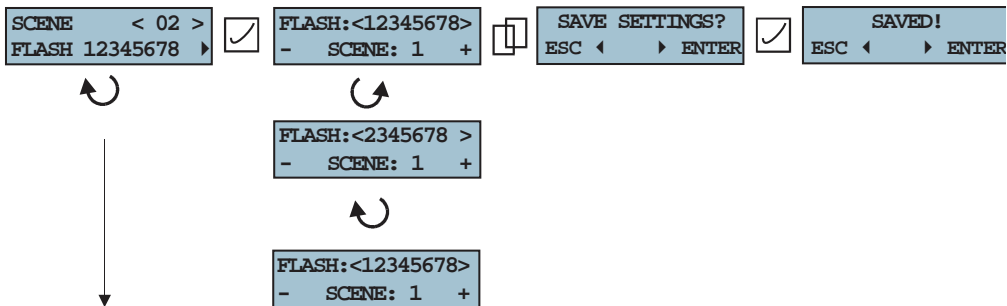
Scene mode



In menu scene, you can enable or disable the scene function. Press the ENTER button to confirm your selection.

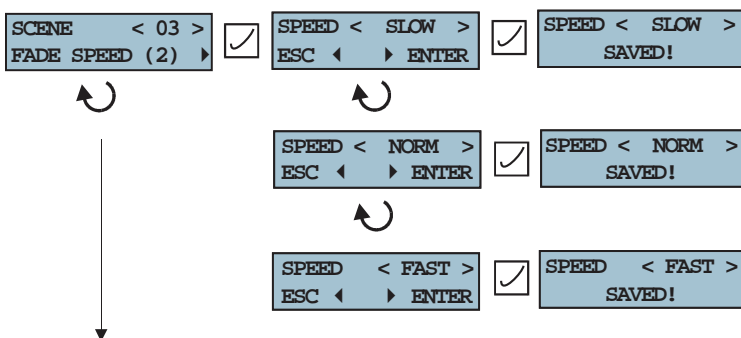
Note: Some devices that are not equipped with analogue port will not work in the scene mode. That is, because the analogue port is also used as a scene port. Consult more options with your dealer or manufacturer.

Flash scene



The flash scene is a scene mode, where scenes are called by a single press of button. When any other button on HLC is pressed, the other scene is called. You can preset up to 8 scenes. A scene that is to be Flash must be added to the Flash scene list. Turn the Encoder until you get to the desired scene number and confirm by ENTER button. To remove a scene from the Flash scene list, turn the Encoder to the scene number and press the ESC button. A single press of the Encoder saves all settings.

Scene fade speed



The fade speed can be set in three timeframes: SLOW, NORMAL or FAST. According to the setup, the scene will be changed to the selected speed when the scene is called.

Save output of dimmer to scene



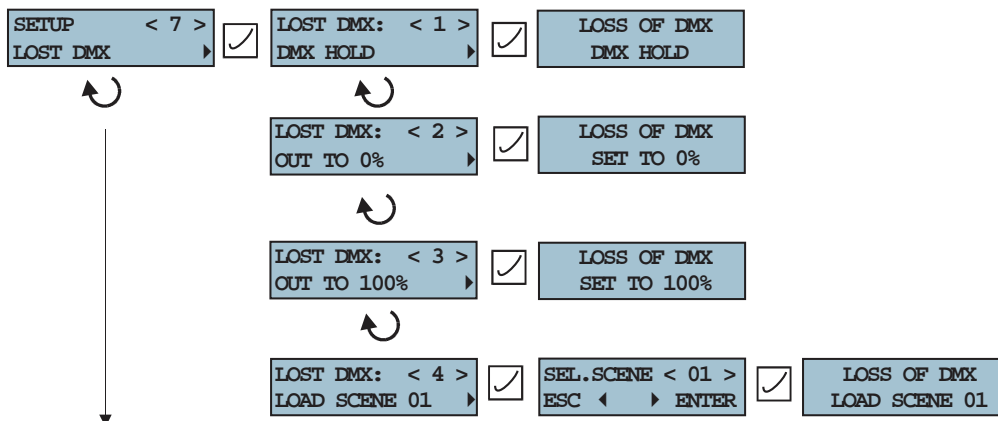
You can easily save output of dimmer to any scene. This means that you can save actual light output from dimmer to a scene and call it later remotely. Select SCENE by turning the encoder and save it by ENTER button. This value will then be processed by a curve. If you later change the preheat on channel, the scene will remain unchanged.

Set up the scene manually



You can set up/record up to 15 scenes in the dimmer and select their LATCH/FLASH function. Use ESC/ENTER button for scroll over channels and the Encoder for selection of channel value and its confirmation. Then set up the output levels for each scene individually and confirm by pressing the ENTER button.

DMX lost setup



There are four options to set if the DMX signal from DMX port is disconnected:

- Outputs will hold the last DMX data frame.
- Outputs will fade to zero.
- Outputs will go to 100%.
- Outputs will be changed to a selected SCENE [0-15].

Factory reset

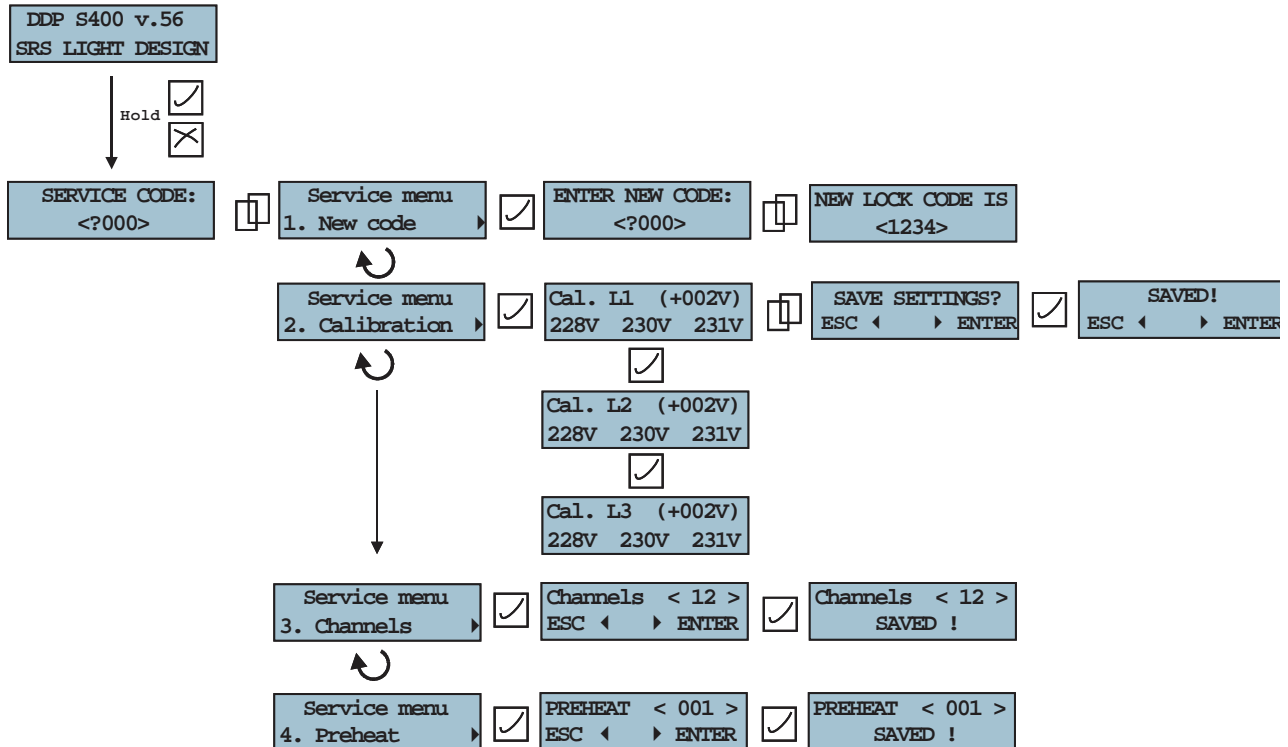


The following are the factory defaults:

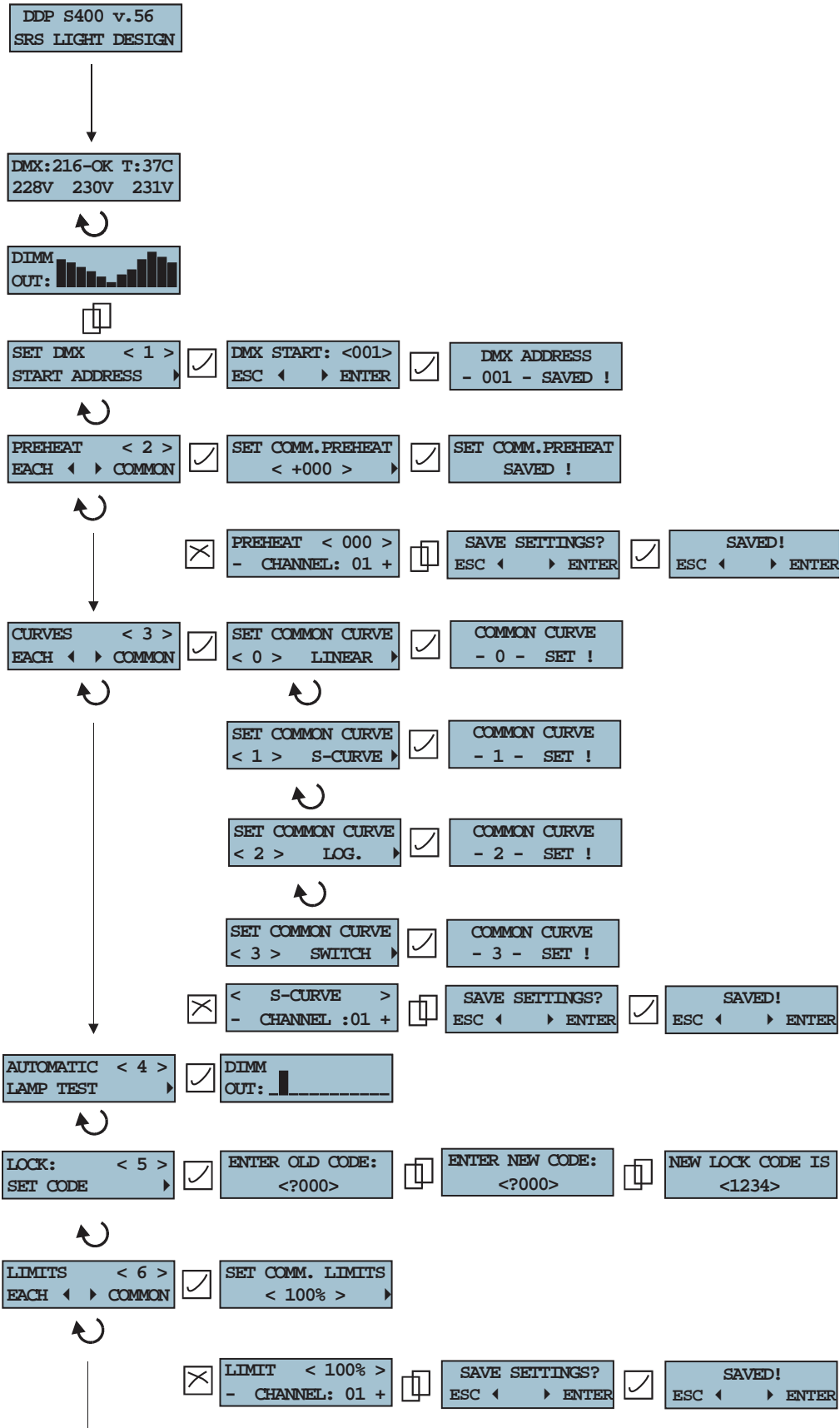
- DMX mode
- DMX start address: 001
- Preheat: 000
- Curve 01: linear
- Mixed mode: OFF
- Limits: 100%
- Lock code: 0000
- Scene: disabled
- All scenes are erased
- Flash scene: 1-8
- Latch scene: 9-15
- Fade speed: NORM
- Lost DMX: hold active

Service menu

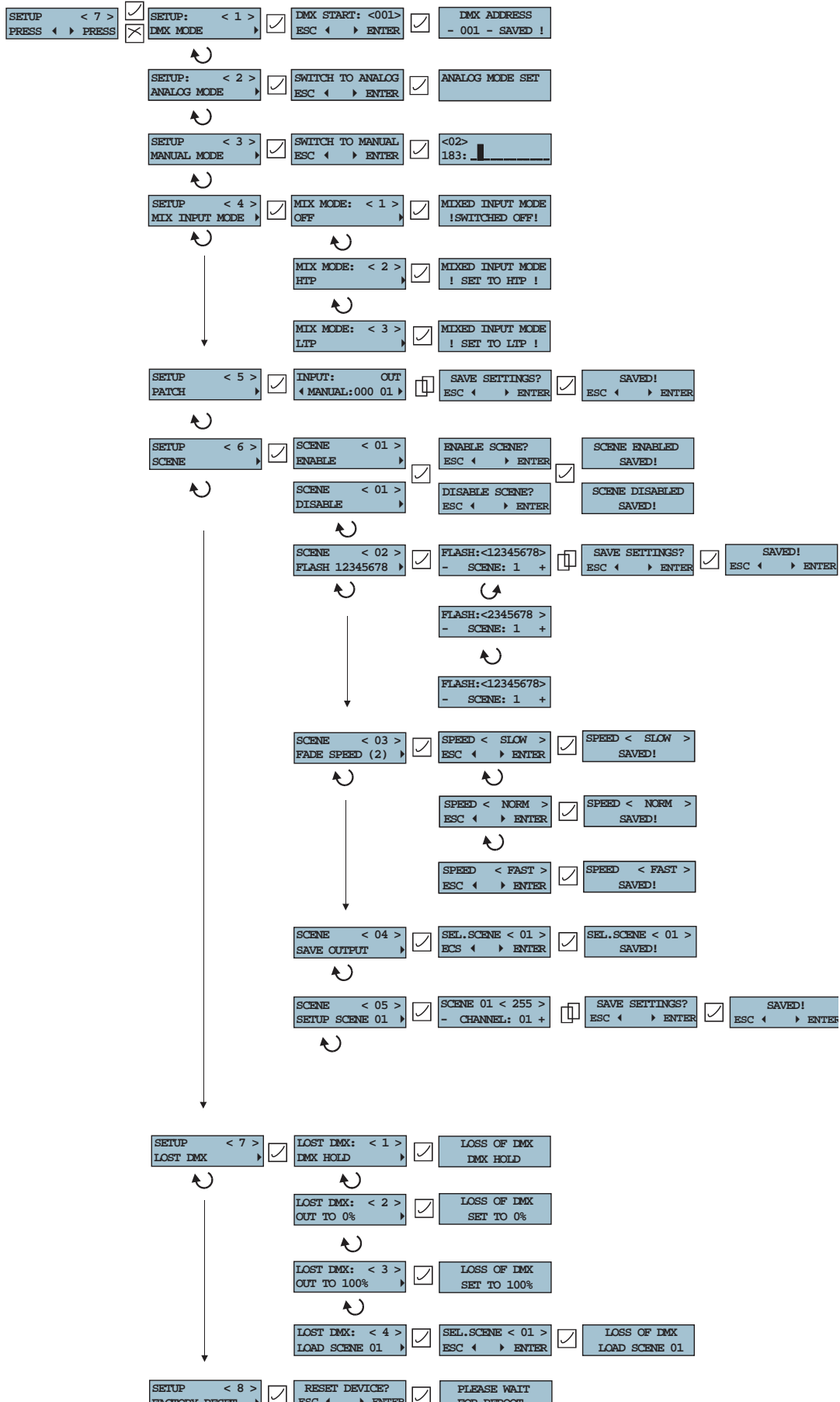
Contact your distributor or manufacturer to find out how to enter the service menu. In this menu, you are able to change the type of dimmer. You can set up the new lock code if the old one has been lost or calibrate the voltage metering and the global preheat.



3. Menu tree



4. Setup menu tree



5. Technical data

Power supply:

AC230/400V / 43-60Hz, Neutrik® PowerCon, or PG's with 30A rating

Power Cable:

H07RNF cable 3m, 3G2.5 mm²

Operating temperature:

-10, 45°C

Housing and dimensions:

Aluminium housing 1514x 100 x 620 mm, 9.7kg

Dimming capacity:

4x 6A

4x 10A

4x 13A

4x 16A

6x 6A

6x 10A

6x 13A

6x 16A

Interference suppression:

Phase-angle control with triac and in-line precision filters 400us

Protection/Ventilation:

Short circuit protection by MCB

100% duty cycle

Double thermal protection

Automatic shutdown at critical temperature

DECLARATION OF CONFORMITY
According to the guidelines 89/336 EEC and 92/31 EEC:

Name of producer: SRS Light Design s.r.o.

Address of producer: Rybnicna 36/D, SK- 83106 Bratislava, Slovak Republic

Declares that the product

Name of product: DDP BAR4, DDP BAR6 dimming bar series400

Type: DDP-BAR4, DDP-BAR6 and variants

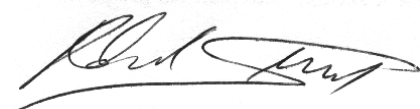
Corresponds to the following product specifications and R&TTE Directive of the European Union:

Safety: EN60065, resp. EN 60950

EMC: EN55103-1, resp. EN55103-2

Radio: EN 301 489-1; 301 489-17; EN 300-328-1; EN 300-328-2

Bratislava, May 10, 2011



Robert Sloboda