

## Application

Beam style	well-defined, flat field profile projection
Suitable for	medium / large scale theatre
Specification level	professional range
Beam angle	8° - 22°
Typical throw distance	10 - 35m / 33 - 115ft

## Electrical specifications

Supply Volts	120V AC single phase to ballast unit
Max. Lamp Watts	700W
Lamp base	G22
Auto-disconnect	double-pole microswitch
Cable/connection	2m / 6.6ft multicore cable to ballast, 2m / 6.6ft 3-core cable to bare ends
Standards Compliance	EN60598-2-17, CE marked

## Mechanical specifications

Paint/Finish	epoxy powder paint, black or white
Lamp House Construction	extruded aluminium and sheet steel
Ballast	separate external unit (supplied) with on/off switch
Reflector	68mm / 2.68in diameter, aluminium
Optical system	double condenser with variable zoom
Mounting & suspension	steel stirrup with 12mm/0.47in centre hole and DIN mounting. Spigot for ø28mm / 1.10in tube suppl.
Handle	one, covering side and rear of followspot
Weight/Packed weight	head: 19,4kg / 41lb net - 24,7kg / 53 lb packed ballast: 28kg / 61.7lb net - 31kg / 68.3lb packed
Packed volume	0.204m <sup>3</sup> ballast: 0.049m <sup>3</sup>
Filter cut size	185 x 185mm / 7.28 x 7.28in
Accessory runners	3 slots, accessory
Colour frame	metal, 185 x 185mm/ 7.28 x 7.28in, accessory
Lamp access	lowering base
Lens access	sliding panels beneath lamp tube

## Operational specifications

Focus adjustment	slide zoom controls (dia/softness) at side
Lamp alignment	factory set
Beam Shaping	20-leaves iris included; shutters are accessories
Dimming	optical dimmer iris included
Positional adjustment	lever tilt clamp

## Lamp types

700W 6000K	Philips MSD 700 G22 4.000 hrs
700W 7200K	Philips MSR 700/2 G22 1.000 hrs

## LDR recommends Philips lamps

## Accessories

Spare metal colour frame	■20100106	□20100106B	
5-colour colour changer	■20105106	□20105106B	
Spare iris diaphragm	20100707	Gobo holder, A/B size	20100807
Black tripod	20102401	Chrome plated tripod	20102402
Colour frame + runners	20109106	Spare spigot ø28mm	20102200
Kit 1-hand control iris/dowser	20107070	Stirrup-kit for suspension	20102900
Flight case with braking wheels	20107080	for f.spot/ballast/col.chang./tripod	

## Photometric data

Narrow focus		700 MSR								
Beam dia.	1.89	2.1	2.31	2.52	2.73	2.93	3.14	3.35	3.56m	
Beam dia.	6.20	6.89	7.58	8.27	8.96	9.61	10.30	10.99	11.68 ft	
lux	<b>3507</b>	<b>2841</b>	<b>2348</b>	<b>1973</b>	<b>1681</b>	<b>1449</b>	<b>1263</b>	<b>1110</b>	<b>983</b>	
Distance	59	66	72	79	85	92	98	105	112 ft	
Distance	18	20	22	24	26	28	30	32	34 m	

## Wide focus

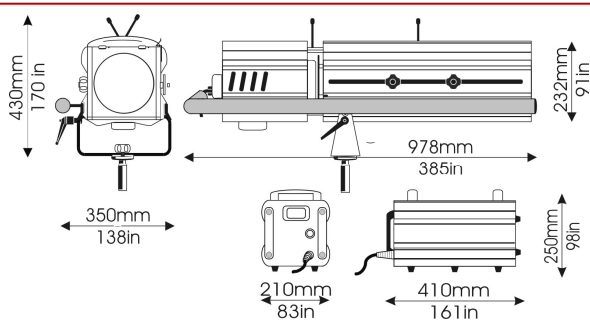
Beam dia.	2.63	3.16	3.69	4.21	4.74	5.27	5.79	6.32	6.85m
Beam dia	8.63	10.37	12.11	13.81	15.55	17.29	19.00	20.73	22.47 ft
lux	<b>2727</b>	<b>1894</b>	<b>1391</b>	<b>1065</b>	<b>842</b>	<b>682</b>	<b>563</b>	<b>473</b>	<b>403</b>
Distance	33	39	46	52	59	66	72	79	85 ft
Distance	10	12	14	16	18	20	22	24	26 m

LUCI DELLA RIBALTA PROFESSIONAL LIGHTING PRODUCTS

# Canto® 700msd/msr MK2

## 120V 60Hz discharge followspot

part number : ■11707180 □11707181



For more power at middle distance throws, this 700W MSR or MSD-powered discharge followspot is the obvious choice. Canto® 700 has been completely re-engineered to offer the market an even wider and better set of features. A large, user-friendly side handle, new mechanics on the mechanical dimmer and a number of new features add to the existing specifications which have made Canto® a world-wide success.

An external ballast, iris, mechanical dimmer, spigot, colour frame and 2m mains cable are all included. Colour frame and a 5-colour colour changer are available as an optional extra.



Luci della Ribalta srl  
Via Berna 14  
46042 Castel Goffredo (MN), Italy  
tel: +39 0376 771777  
fax: +39 0376 772140  
[www.ldr.it](http://www.ldr.it) [info@ldr.it](mailto:info@ldr.it)

Issue: ap ©2009. LDR reserves the right to alter present specifications without prior notice.