

SAFETY PRECAUTIONS:

Do not operate the equipment before studying the instruction manual and the accompanying safety precautions. Make sure that Lupo Safety Instructions is always included with the equipment! Lupo products are intended for professional use. Do not place or use the equipment where it can be exposed to moisture, extreme electromagnetic fields or in areas with flammable gases or dust! Do not expose the equipment to dripping or splashing! Do not place any objects filled with liquids on or near the equipment. Do not expose the equipment to hasty temperature changes in humid conditions as this could lead to condensation water in the unit. Equipment must only be serviced, modified or repaired by authorized and competent service personnel!

CAUTION: Do not look into the light source of the fixture!

Do NOT cover/block the side and back air vents.

Use only a soft dry towel to gently clean the exterior of the light.

Do NOT lift or suspend the fixture by the power cable.

Do NOT mount Dayled fixtures in a hanging position without a safety cable.

A Safety cable is NOT included with each Dayled fixture.

CAUTION - BURN HAZARD - HOT PARTS

Do not touch hot parts with bare fingers! LED bulbs and certain metal parts emit strong heat when used!

Do not point lamps too close to persons. Always use the fixtures with the front part closed.

NOTICE - EQUIPMENT OVERHEATING RISK

Do not obstruct ventilation by placing filters, diffusing materials, etc. over inlets and outlets of the equipment ventilation or directly over glass cover or LED bulbs.

FINAL DISPOSAL

When no longer in use, this product may not be deposited in the normal household waste but should be brought to a collection point for the recycling of electrical and electronic appliances.

The materials are recyclable as marked. By re-use, recycling or another form of using old appliances you are making an important contribution towards the protection of the environment. Please ask your local authorities for the appropriate disposal point.

Equipment contains electrical and electronic components that could be harmful to the environment. Equipment may be returned to Lupo distributors free of charge for recycling according to WEEE. Follow local legal requirements for separate disposal of waste, for instance WEEE directive for electrical and electronic equipment on the European market, when product life has ended!

MAINTENANCE AND CARE

Please do not forget that the safe operation of lampheads also includes their maintenance and care.

A visual inspection should be conducted before every use and an inspection of electrical safety should be conducted at least once every 12 months.

WARRANTY

Each Lupo product will be repaired free of charge by Lupo if during a period of **12 months** (for mechanical components) and **12 months** (for electrical/electronic components) from date of purchase its working order is impaired through a man-manufacturing or material defect.

The faulty product should be immediately sent to authorized dealer or Lupo.

This warranty is not valid for equipment which has been used improperly, dismantled, modified or repaired by persons not belonging to the Lupo distribution network.

It does not cover Lamps, lenses or other material entirely or partially made of glass. No responsibilities can be accepted for damage resulting from unsatisfactory operation of the equipment.

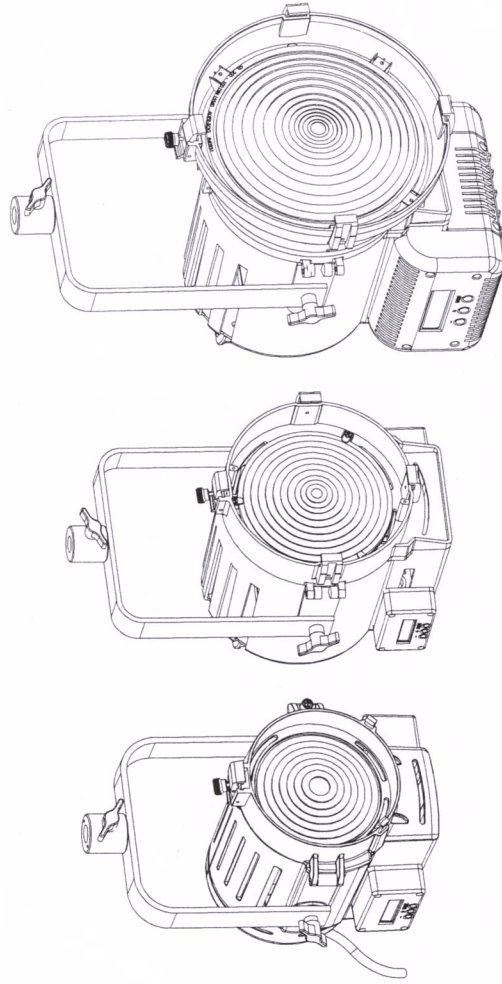
Please contact the dealer who sold the fixture/s before any units are returned for repair. Lupo will make the final determination as to whether or not the unit is covered by warranty.

Lupo will replace or repair to proper working condition any products that are returned under warranty. Products repaired or replaced under warranty are under warranty only for the remaining unexpired period of time of the original warranty.

Any product unit or part returned to Lupo must be packaged in a suitable manner to ensure the protection of such product unit or parts. The package must be clearly and prominently marked to indicate that the package contains returned product units or parts. All returned product units or parts must be accompanied by a written explanation of the alleged problem or malfunction.

Lupo

Made in Italy



Dayled
650

Dayled
1000

Dayled
2000

LED Fresnel Instructions

IMPORTANT: please keep the original package of the product in a safe place for warranty reasons.

Thanks for having purchased Lupo products. All the products are made in Italy and all the efforts have been put to keep the quality standards high. We hope this product can help you in your job and make your life easier as a professional. We also hope you will enjoy its use and we would be happy to receive your feedback about it.

LED Fresnel Instructions

- Device for internal use only.
- Protection standard IP20.
- Maximum surrounding temperature: 35 °C.
- Make sure power supply plug is adapt to capacity required.
- As prescribed by international regulations, a safety cable must be used when the fixture is suspended from the ceiling.
- To switch on the light push the on/off button.
- Dayled 650 and Dayled 1000 models are equipped with new generation high quality LED arrays.
- Dayled 650 is equipped with 60 W single LED array.
- Dayled 1000 is equipped with 110 W single LED array.
- Dayled 2000 is equipped with 220 W single LED array.

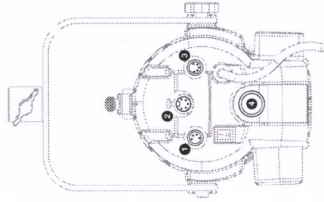


VERY IMPORTANT:

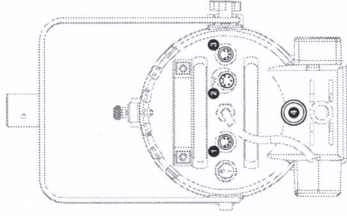
WHEN HANGING THE FIXTURE FROM A HIGHER POSITION, PLEASE MAKE SURE YOU USE A SAFETY CABLE TO ATTACH THE BARNDOORS TO THE YOKE OF THE FRESNEL. BARNDOORS SHOULD ALWAYS BE SECURED TO THE YOKE WHEN USED IN THIS WAY. ANOTHER SAFETY CABLE SHOULD BE USED TO SECURE THE FIXTURE TO THE MOUNTING PIPE OR TRUSS. BOTH SAFETY CABLES MUST BE PROPERLY DIMENSIONED FOR THE FIXTURE AND THE APPLICATION WHEN THE FIXTURE IS OPERATED IN A HANGING POSITION PLEASE ENSURE THAT THE ACCESSORIES ARE INSTALLED CORRECTLY WITH TOP LATCH LOCKED.

XLR connectors on the back of the Fresnel (position different between Dayled 650 and Dayled 1000)

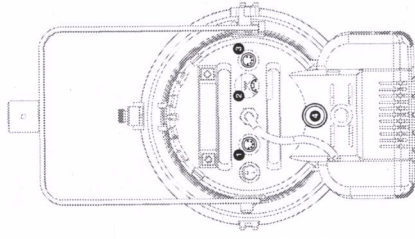
Dayled 650



Dayled 1000

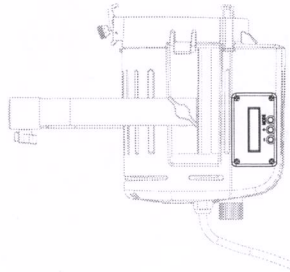


Dayled 2000

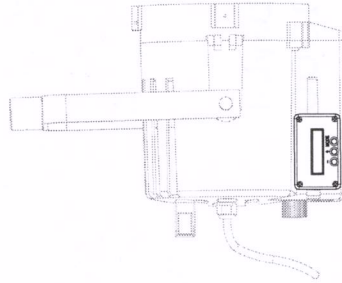


Manual dimmer / DMX display

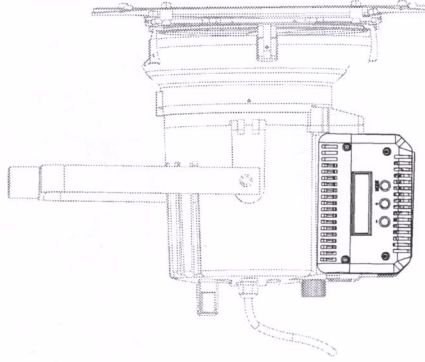
Dayled 650



Dayled 1000



Dayled 2000



Left button:

- DMX channel down
- dimming down



Centre button:

- DMX channel up
- dimming up



Right button:

- manual / DMX select

ONLY FOR THE DUAL COLOR VERSION OF DAYLED UNITS:

THE KNOB ON THE BACK OF THE DMX/DISPLAY SIDE BOX CAN BE USED TO TUNE THE COLOR TEMPERATURE FROM 3200K TO 5600 K. SINGLE COLOR UNITS (5600 K OR 3200 K) DON'T HAVE THIS KNOB ON THE DMX/DISPLAY BOX.

1 XLR 4 pin male connector: battery connection

2 XLR 5 pin male connector: DMX input

3 XLR 5 pin female connector: DMX output

4 Focus knob (flood / spot)

4 pin XLR connections (battery):

- 1 negative, 4 positive

5 pin XLR connections (DMX):

- 1 GND, 2 negative, 3 positive

All the three XLR connectors for use with DMX control desks or batteries are positioned on the back of the Fresnels, though their position is slightly different between Dayled 650 model and Dayled 1000 model.

For use with DMX control desks

Always check the control desk instruction manual before operating the fixture. Dayled fixtures are equipped with XLR DMX interface. They are used to send the DMX signal to the lamphead. Each fixture includes in/out ports for the purpose of daisy-chaining the DMX line through to the next lamphead.

For battery use

For Dayled 650 and Dayled 1000 always use 14,8 V batteries.

Dayled 650 works with 7 A load discharge batteries.

Dayled 1000 works with 10 A load discharge batteries.

As to capacity (Ah or Wh values), the higher the capacity of the battery, the longer is the functioning time of the fixture. For Dayled 2000 always use 28V batteries.

FOR BEST COMPATIBILITY PLEASE USE LUPO BATTERIES.