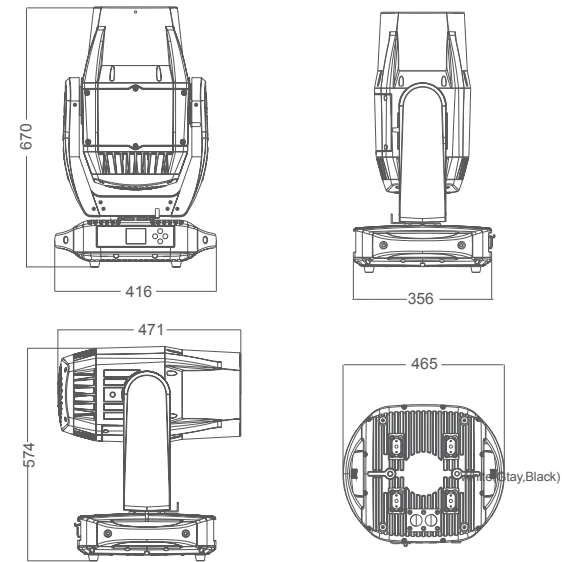


LUX OUTDOOR 400 HYBRID

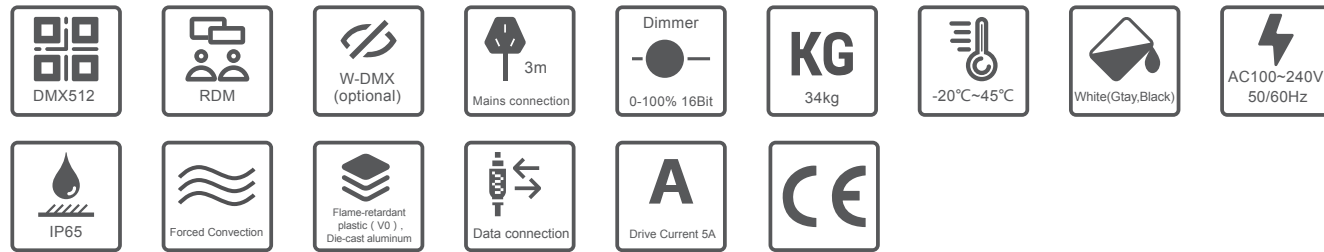
Lux Outdoor 400 Hybrid is a powerful IP hybrid moving head, with high-efficient optics, wide zoom angle from 3-30°, provides a strong Beam and Spot effect. It has fast and silent X/Y movement, professional high quality color wheel, extremely clean static and rotation gobo wheel projection, amazing double prism effect (8 facet and linear prism)! Perfect product for outdoor concerts/events, commercial complex, theme park, amusement park and landmark building etc.



DIMENSIONS



SPECIFICATIONS



ROTATING GOBO



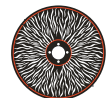
COLORS



CMY



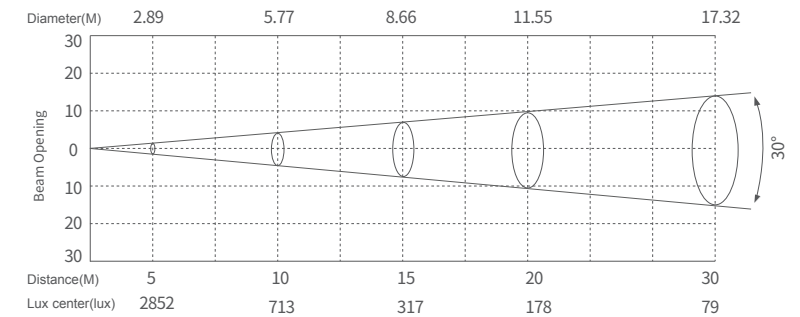
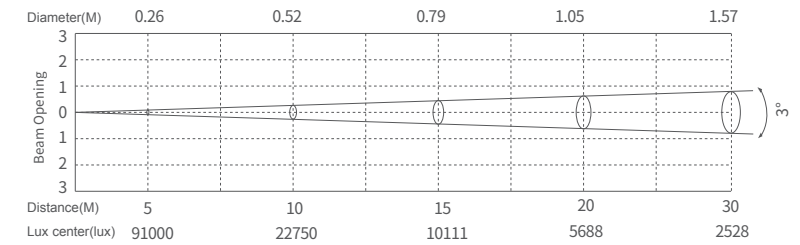
Animation Wheel



TECHNICAL DATA

| PRODUCT | |
|-------------------|---|
| Light source | LED 300W |
| Angle | 3-30° |
| Max. Power | 400W |
| Display | On board Control, Custom Mode, 0-25Hz Strobe |
| Pan/Tilt rotation | 540°/270° (8-16bit) |
| Con Personality | BASIC/20CHS、STANDARD/24CHS、Extend/28CHS |
| Special | Pan/Tilt movement blackout, User-selectable pan/tilt ranges, gravitation sensor for auto screen positioning |
| Rotating Gobo | 8 Gobos+ White, Gobo-flow effect, Gobo shake, Bi-directional rotation |
| Colors | CMY wheel One color wheel(8dichroic-filters+White, Rainbow-flow effect) |
| Prism | One piece of 5 F prism with bi-directional rotation, Speed adjustable |
| Animation Wheel | Bi-directional rotation, Speed adjustable |
| Focus | Motorized linear focus |
| Frost | 1 Frost filter |

ILLUMINANCE DIAGRAM



ACCESSORIES

Wireless receiver Kit (X10156)