



Bedienungsanleitung: SquareLED MRX BAR

Manual | MRX BAR

Caution!

Be careful with your operations. With a dangerous voltage you can suffer a dangerous electric shock when touching the wires!

- Avoid looking directly into the light source!
- Keep this device away from rain and moisture!
- Make sure it is grounded when using it!
- Unplug mains lead before opening the housing!
- For your own safety, please read this user manual carefully before you initial start-up.
- Every person involved with the installation, operation and maintenance of this device has to
 - be qualified
 - follow the instructions of this manual

Introduction!

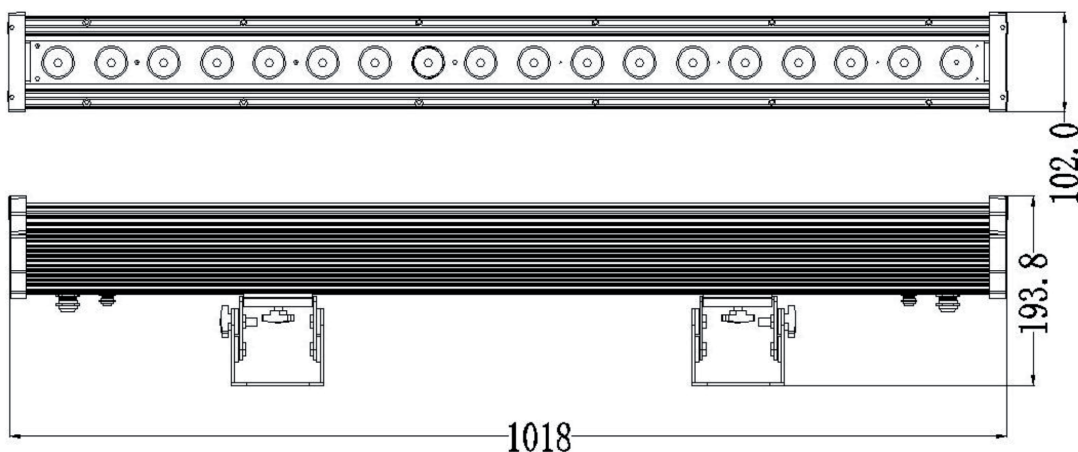
Thank you for having chosen Outdoor LED STRIP 18*12W matrix. You will see you acquired a powerful and versatile device. Unpack your item. Before you initial start-up, please make sure that there is no damage caused by transportation. Should there be any, consult your dealer and do not use the device.

Safety instructions

This device has left our premises in absolutely perfect condition. In order to maintain this condition and to ensure a safe operation, it is absolutely necessary for the user to follow the safety instructions and warning notes written in this user manual.

Always disconnect from the mains, when the device is not in use or before cleaning it. Keep away children and amateurs from the device! There are no serviceable parts inside the device. Maintenance and service operations are only to be carried out by authorized dealers.

Dimension



Manual | MRX BAR

Installation

On the rear panel of the item you can find an 3pin XLR-jack (DMX OUT) and an 3pin XLR-plug (DMX IN), which can be used for connecting several devices. Choose the device which is to control the effects. Connect the DMX OUT-jack with the DMX IN-plug of the next device.

DMX-512 connection/connection between fixtures

Occupation of the XLR-connection:

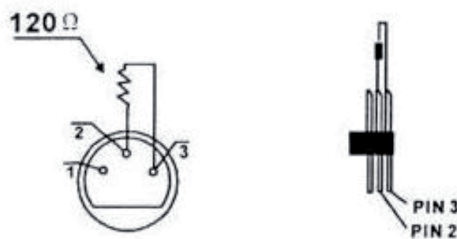
If you are using controllers with this occupation, you can connect the DMX-output of the controller directly with the DMX-input of the first fixture in the DMX-chain. If you wish to connect DMX-controllers with other XLR-outputs, you need to use adapter-cables.

Building a serial DMX-chain:

Connect the DMX-output of the first fixture in the DMX-chain with the DMX-input of the next fixture. Always connect one output with the input of the next fixture until all fixtures are connected.

DMX-512 connection with DMX terminator

For installations where the DMX cable has to run a long distance or is in an electrically noisy environment, such as in a discotheque, it is recommended to use a DMX terminator. This helps in preventing corruption of the digital control signal by electrical noise. The DMX terminator is simply an XLR plug with a 120 resistor connected between pins 2 and 3, which is then plugged into the output XLR socket of the last fixture in the chain. Please see illustrations below.



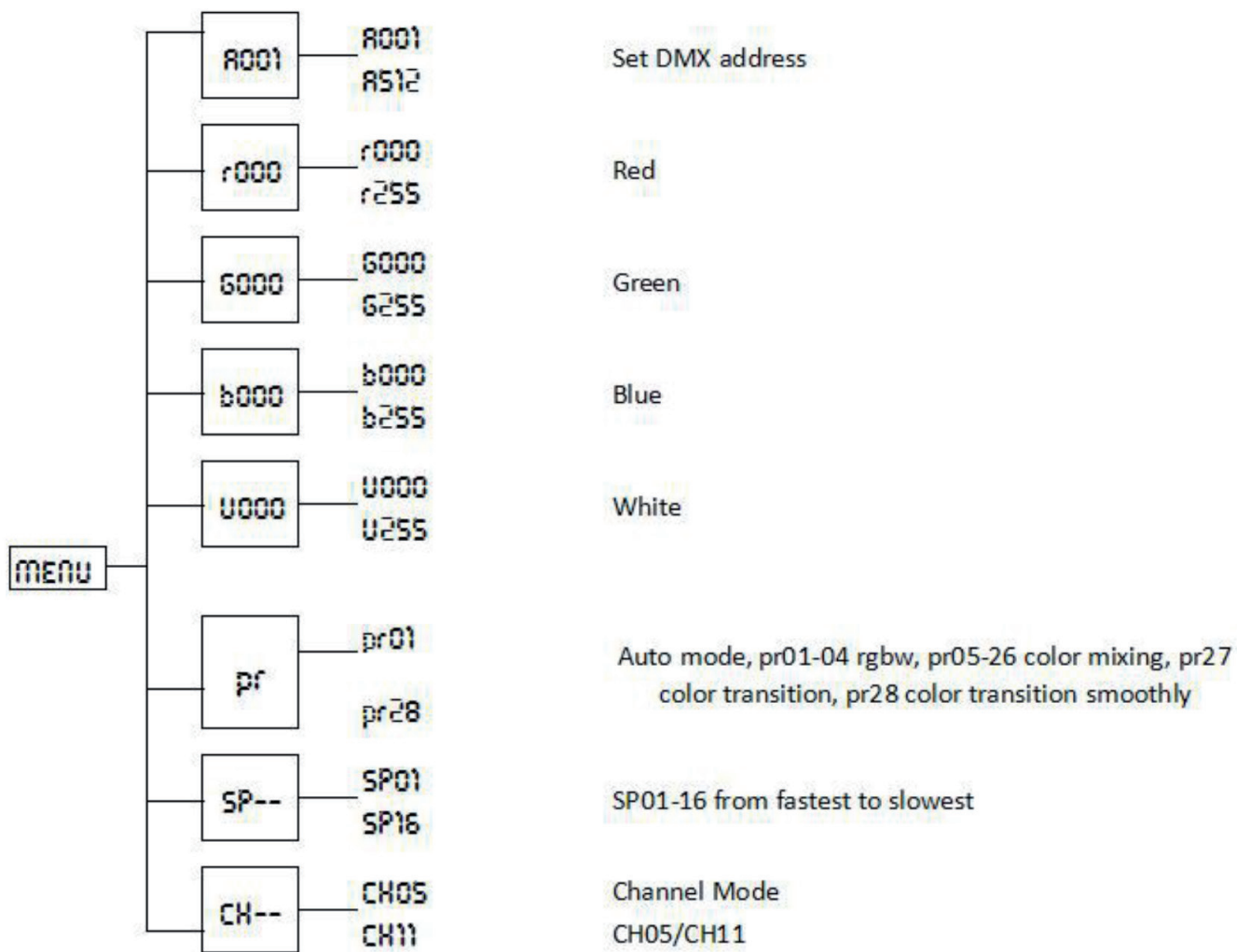
Caution: At the last fixture, the DMX-cable has to be terminated with a terminator. Solder a 120 resistor between Signal (-) and Signal (+) into a 3-pin XLR-plug and plug it in the DMX-output of the last fixture.

Connection with the mains

Connect the device to the mains with the enclosed power supply cable.

Manual | MRX BAR

Control menu map



Note: Auto save in 5s (NO NEED to press ENTER button after correcting data).

Manual | MRX BAR

Operation

Projector DMX starting address selection

All fixtures should be given a DMX starting address when using a DMX signal, so that the correct fixture responds to the correct control signals. This digital starting address is the channel number from which the fixture starts to listen to the digital control information sent out from the DMX controller. The allocation of this starting address is achieved by setting the correct number on the display located on the base of the device.

You can set the same starting address for all fixtures or a group of fixtures, or make different address for each fixture individually. If you set the same address, all the units will start to listen to the same control signal from the same channel number. In other words, changing the settings of one channel will affect all the fixtures simultaneously.

If you set a different address, each unit will start to listen to the channel number you have set, based on the quantity of control channels of the unit. That means changing the settings of one channel will affect only the selected fixture. In the case of the LED strip, which is 5/11 channels fixture, you should set the starting address of the first unit to 1, the second unit to $6(7+1)/12(11+1)$, the third unit to $11(6+5)/23(12+11)$, and so on.

Control Board

The Control Board offers several features: you can simply set the starting address, run the pre-programmed program or make a reset.

The main menu is accessed by pressing the Mode-button until the display starts flashing. Browse through the menu by pressing the Up-button or Down-button. Press the Enter-button in order to select the desired menu. You can change the selection by pressing the Up-button or Down-button. Confirm every selection by pressing the Enter-button. You can leave every mode by pressing the Mode-button. The functions provided are described in the following sections.

DMX Protocol

5 Channel mode	Function	Function Control
CH1	Dimmer	0: Shut 1-255: Dimming
CH2	Red	0: Shut 1-255: Dimming
CH3	Green	0: Shut 1-255: Dimming
CH4	Blue	0: Shut 1-255: Dimming
CH5	White	0: Shut 1-255: Dimming

Manual | MRX BAR

11 Channel mode	Function	Function Control
CH1	Dimmer	0: Shut 1-255: Dimming
CH2	Strobe	0-19: Strobe shut; 20-255: Strobe speed from slow to fast
CH3	Red	0: Shut 1-255: Dimming
CH4	Green	0: Shut 1-255: Dimming
CH5	Blue	0: Shut 1-255: Dimming
CH6	White	0: Shut 1-255: Dimming
CH7	Speed	0-255: From slow to fast
CH8	Effect Macro 0-128: should be use with color channel in the same time 129-255: Program Auto Mode	0-13: No function 14-26: Program 1 27-40: Program 2 41-54: Program 3 111-128: Program 8 129-142: Program 9 ... 231-255: Program 17
CH9	CT	0-10: OFF 11-255: 3000K-8000K
CH10	Color Mixing	0 -9: OFF 10-255: 28 preset programs (program1-4: R-W; program5-13: color temperature; program14-26: static color; program27: gradient color; program28: jump change color)
CH11	Color Macro	0-4 : OFF 5-255 : Color Macro

Manual | MRX BAR

Set DMX address

Display the DMX 512 value of each channel. With this function you can display the DMX 512 value of each channel. The display automatically shows the channel with a value changing.

Auto Program

With this function, you can run the internal program. You can select the desired program under. You can set the number of steps under. You can edit the individual scenes under. With this function, you can run the individual scenes either automatically, i.e. with the adjusted Step-Time.

Specifications

- Equipped with 18 RGBW QUAD-color LEDs
- 0-100% 16 bit linear dimming
- Channel mode: DMX/Stand-alone/Master-slave
- DMX channels: 5/11 CH
- 28 preset programs for stand-alone operation
- IP rate: IP65
- Fixtures linkable
- AC power in/through: waterproof 3-pin power cable
- DMX data in/through: water 3-pin XLR
- Voltage range: 100-240v nominal, 50/60 Hz
- Power consumption(240v): 220W
- Packing list: 1x 1218 bar light, 1x extend power cable, 1x extend DMX cable, 1x power cable, 1x DMX cable, 1x user manual, 1x safety chain
- Size: L 1100mm (43.3") x W 150 mm (5.91") x H 100 mm (3.94")
- N/W: 9.2 kg (20.3lb)



Das Lichttechnikhaus Vertriebs GmbH

Rudolf-Diesel-Str. 3, D-89312 Günzburg

Telefon +49 (0) 82 21 207 98-0

Fax +49 (0) 82 21 207 98-69

E-Mail info@lth-gmbh.de

Web www.lth-gmbh.de