

TEE SLOT
P/N: 130

The Tee Slot is the receiving part of the Moving Light Hanger System. The Tee Slot works in conjunction with the Tee Head to hang a moving light in the same place each time. The 130 Tee Slot comes with a 5/16" bolt, washer, and a stop nut allowing it to be attached to scenery or other structures. The Tee Head settles into a groove in the Tee Slot to temporarily hold the head in place even when the Tee Head knob isn't tightened.



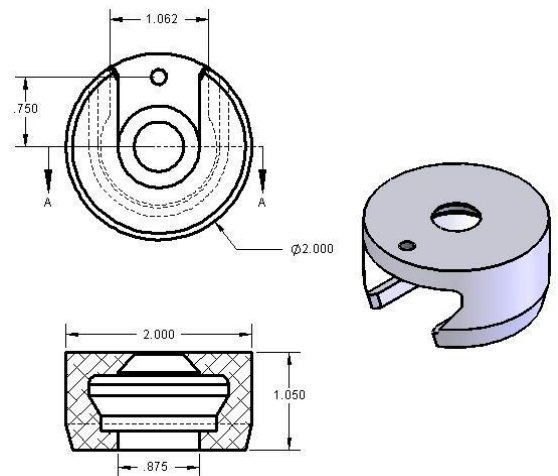
P/N: 130

Features:

- Can hold up to 100 pounds hanging straight down
- Designed to be used with P/N 135 Tee Head
- Can be mounted in a variety of ways by using the supplied bolt
- Safety groove to secure the Tee Head even when it isn't locked down

Weight: 0.25 lbs

Dimensions: 1-7/8" W x 1-7/8" H x 1-7/8" D



A FEW DOs AND DON'Ts:

DO:

Remember to tighten the tightening knob on the Tee Head against the base of the Tee Slot. Remember to insert and settle the Tee Head fully into the Tee Slot prior to tightening the tightening knob.

DO NOT:

Weld anything to the Tee Slot or Tee Head.
Use the Tee Slot System to hang any personnel.
Use the Tee Slot System to hang a structure on which personnel will be working.
Use the Tee Slot System for any purpose for which it was not intended.