

# DIN-MOUNT POWER SUPPLIES



Models shown: 1. PWPWR DIN TERM 30W 24VDC  
2. PWPWR DIN TERM 50W 24VDC  
3. PWPWR DIN TERM 60W 48VDC  
4. PWPWR DIN TERM 100W 24VDC  
5. PWPWR DIN TERM 100W 48VDC  
6. PWPWR DIN TERM [10W/20W] 48TO24VDC

## OVERVIEW

Pathway DIN-mount power supplies are offered in several voltages and wattages for various permanent install applications using NEMA1 enclosures (PWENC).

48VDC to 24VDC step-down DC converters are also available, in 10W and 20W versions.

## FEATURES

- 48VDC and 24VDC output options
- 30W, 50W, and 100W wattages available in 24VDC
- 60W and 100W wattages available in 48VDC
- Designed for installation in NEMA1 enclosures (PWENC)
- Mounts to standard 35mm DIN rail

## WARRANTY

3-year limited warranty. Complete warranty terms located at:  
<https://www.acuitybrands.com/support/warranty>

## NOTE

Actual performance may differ as a result of end-user environment and application. Specifications subject to change without notice.

## ORDERING INFORMATION

PWPWR			EXAMPLE: PWPWR DIN TERM 100W 48VDC			
Series	Form Factor	Output Connector Type	Wattage		Voltage	
PWPWR Pathway Power Supply	DIN DIN-mount	TERM Compression-fit Terminal	10W <sup>1</sup>	10 Watts	24VDC <sup>3</sup>	24 Volts DC
			20W <sup>1</sup>	20 Watts	48VDC	48 Volts DC
			30W <sup>2,3</sup>	30 Watts	48TO24VDC	48 Volts DC to 24 Volts DC converter
			50W <sup>2</sup>	50 Watts		
			60W <sup>4</sup>	60 Watts		
			100W <sup>5</sup>	100 Watts		

### Notes

1. 10W and 20W are only available as 48TO24VDC DC-DC converters.
2. 30W and 50W only available in 24VDC.
3. 30W 24VDC model is not available in North America.
4. 60W only available in 48VDC.
5. 100W available in 24VDC or 48VDC.

## SPECIFICATIONS

### Electrical

<b>Input Ratings</b>	<b>PWPWR DIN TERM 30W 24VDC</b> 90-304VAC, 47-63Hz
	<b>PWPWR DIN TERM 50W 24VDC</b> 120-277VAC, 50-60Hz
	<b>PWPWR DIN TERM 60W 48VDC</b> 85-264VAC, 47-63Hz
	<b>PWPWR DIN TERM 100W 24VDC</b> 85-136VAC or 176-264VAC (Auto-select), 47-63Hz
	<b>PWPWR DIN TERM 100W 48VDC</b> 85-264VAC, 47-63Hz
	<b>PWPWR DIN TERM [10W/20W] 48TO24VDC</b> 48VDC (typical), can accept 18-75VDC

<b>Output Ratings</b>	<b>PWPWR DIN TERM 30W 24VDC</b> 24VDC @ 30W maximum
	<b>PWPWR DIN TERM 50W 24VDC</b> 24VDC @ 50W maximum
	<b>PWPWR DIN TERM 60W 48VDC</b> 48VDC @ 60W maximum
	<b>PWPWR DIN TERM 100W 24VDC</b> 24VDC @ 100W maximum
	<b>PWPWR DIN TERM 100W 48VDC</b> 48VDC @ 100.8W maximum
	<b>PWPWR DIN TERM 10W 48TO24VDC</b> 24VDC @ 10W maximum, isolated (1,500V)
	<b>PWPWR DIN TERM 20W 48TO24VDC</b> 48VDC @ 10W maximum, isolated (1,500V)

<b>Regulatory Compliance</b>	<b>PWPWR DIN TERM 30W 24VDC</b>	CE
	<b>PWPWR DIN TERM 50W 24VDC</b>	UL-listed
	<b>PWPWR DIN TERM 60W 48VDC</b>	CE, UL-listed
	<b>PWPWR DIN TERM 100W 24VDC</b>	CE, UL-listed
	<b>PWPWR DIN TERM 100W 48VDC</b>	CE, UL-listed

### Mechanical

<b>Dimensions</b>	<b>PWPWR DIN TERM 30W 24VDC</b> 3.58" W x 2.08" H x 2.2" D (91mm W x 53mm H x 56mm D)
	<b>PWPWR DIN TERM 50W 24VDC</b> 5.4" W x 3" H x 1.6" D (137mm W x 76mm H x 41mm D)
	<b>PWPWR DIN TERM 60W 48VDC</b> 3.54" W x 1.38" H x 3.52" D (90mm W x 35mm H x 89mm D)
	<b>PWPWR DIN TERM 100W 24VDC</b> 2.9" W x 2.85" H x 4" D (74mm W x 72mm H x 102mm D)
	<b>PWPWR DIN TERM 100W 48VDC</b> 3.54" W x 2.75" H x 2.3" D (90mm W x 70mm H x 58mm D)
	<b>PWPWR DIN TERM [10W/20W] 48TO24VDC</b> 3" W x 1.25" H x 1" D (76mm W x 32mm H x 25mm D)

<b>Weight</b>	<b>PWPWR DIN TERM 30W 24VDC</b>	6.4 oz (0.181 kg)
	<b>PWPWR DIN TERM 50W 24VDC</b>	10.5 oz (0.3 kg)
	<b>PWPWR DIN TERM 60W 48VDC</b>	7.3 oz (0.207 g)
	<b>PWPWR DIN TERM 100W 24VDC</b>	13.4 oz (0.38 kg)
	<b>PWPWR DIN TERM 100W 48VDC</b>	8.7 oz (0.246 kg)
	<b>PWPWR DIN TERM [10W/20W] 48TO24VDC</b>	2.3 oz (0.065 kg)

## SPECIFICATIONS

### Environmental

#### Operating Temperature

**PWPWR DIN TERM 30W 24VDC**  
-13°F to 160°F (-25°C to 71°C)

**PWPWR DIN TERM 50W 24VDC**  
32°F to 122°F (0°C to 50°C)

**PWPWR DIN TERM 60W 48VDC**  
-13°F to 158°F (-25°C to 70°C)

**PWPWR DIN TERM 100W 24VDC**  
-13°F to 185°F (-25°C to 85°C)

**PWPWR DIN TERM 100W 48VDC**  
-22°F to 185°F (-30°C to 70°C)

**PWPWR DIN TERM [10W/20W] 48TO24VDC**  
-40°F to 158°F (-40°C to 85°C)

#### Relative Humidity

**PWPWR DIN TERM 30W 24VDC**  
20-90%, non-condensing

**PWPWR DIN TERM 50W 24VDC**  
10-90%, non-condensing

**PWPWR DIN TERM 60W 48VDC**  
0-95%, non-condensing

**PWPWR DIN TERM 100W 24VDC**  
20-90%, non-condensing

**PWPWR DIN TERM 100W 48VDC**  
20-90%, non-condensing

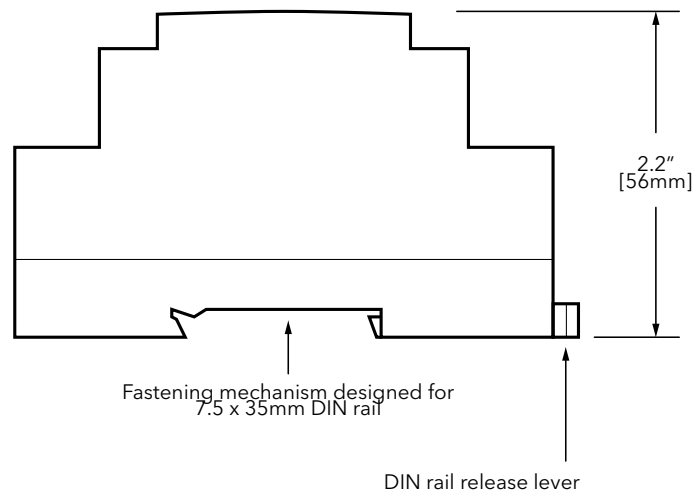
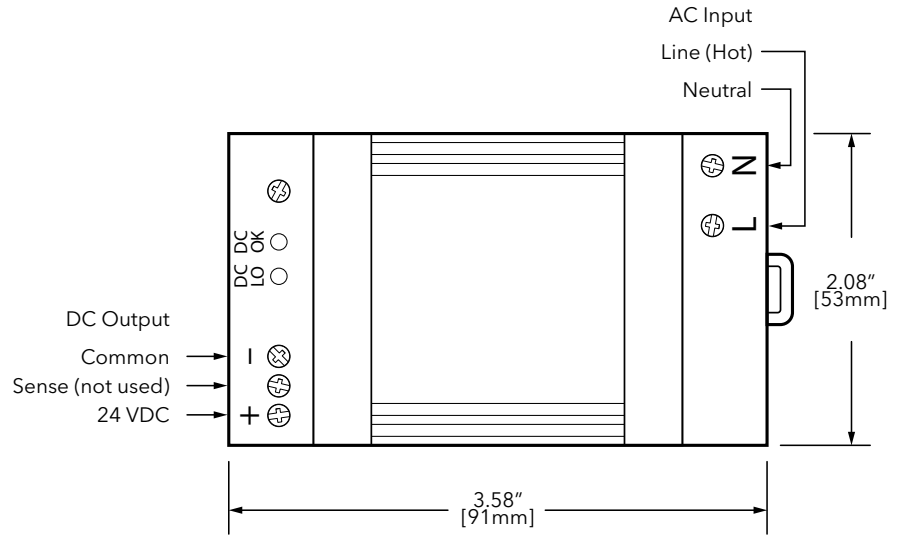
**PWPWR DIN TERM [10W/20W] 48TO24VDC**  
5-95%, non-condensing

## PART NUMBER CROSS-REFERENCE

PREVIOUS		NEW	Description
Part Number	Catalog Number		
1001-030-24-DIN	PWPWR DIN TERM 30W 24VDC		Power Supply, DIN-mount, Compression Fit Terminal, 30 Watts, 24 Volts DC
1001-050-24-DIN	PWPWR DIN TERM 50W 24VDC		Power Supply, DIN-mount, Compression Fit Terminal, 50 Watts, 24 Volts DC
1001-060-48-DIN	PWPWR DIN TERM 60W 48VDC		Power Supply, DIN-mount, Compression Fit Terminal, 60 Watts, 48 Volts DC
1001-100-24-DIN	PWPWR DIN TERM 100W 24VDC		Power Supply, DIN-mount, Compression Fit Terminal, 100 Watts, 24 Volts DC
1001-100-48-DIN	PWPWR DIN TERM 100W 48VDC		Power Supply, DIN-mount, Compression Fit Terminal, 100 Watts, 48 Volts DC
1001-DC-10	PWPWR DIN TERM 10W 48TO24VDC		Power Supply, DIN-mount, Compression Fit Terminal, 10 Watts, 48 to 24 Volts DC
1001-DC-20	PWPWR DIN TERM 20W 48TO24VDC		Power Supply, DIN-mount, Compression Fit Terminal, 20 Watts, 48 to 24 Volts DC

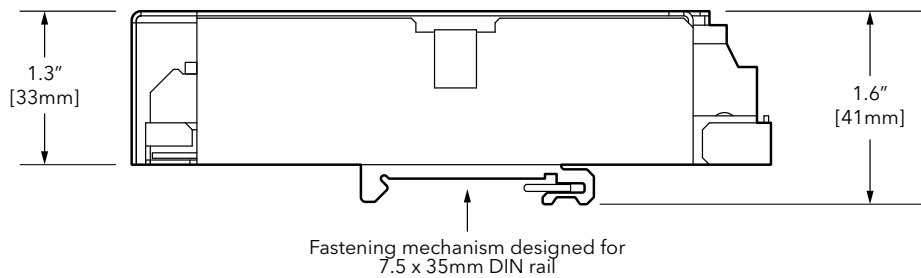
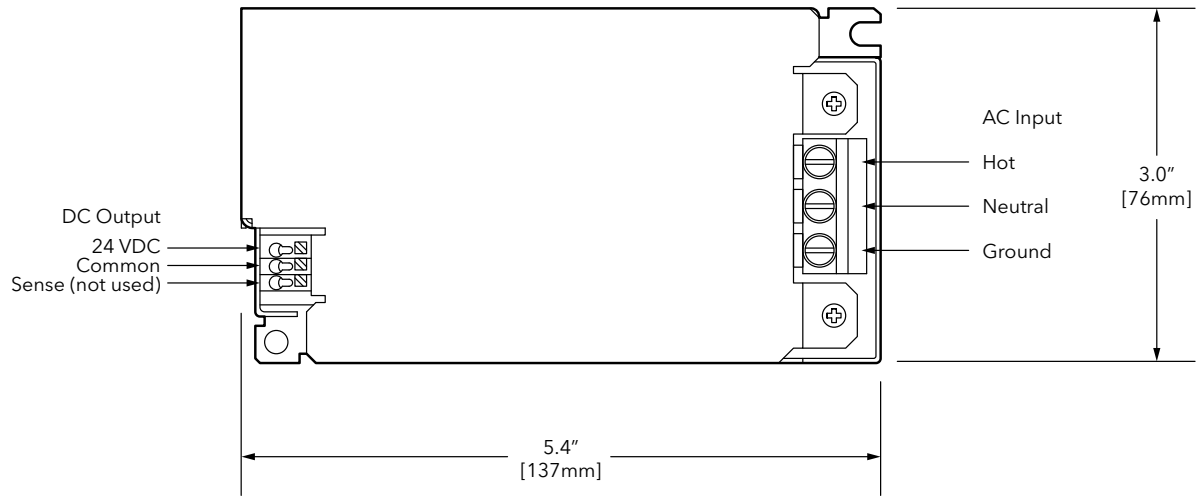
## DIMENSIONS

### PWPWR DIN TERM 30W 24VDC



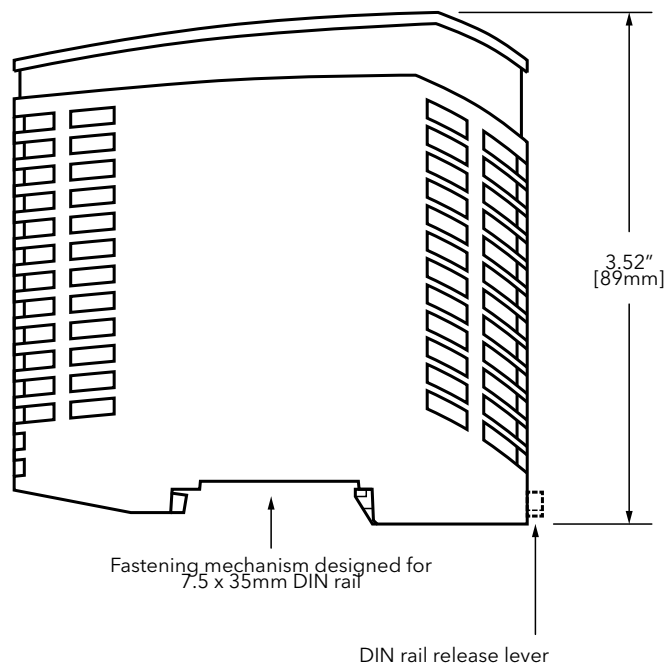
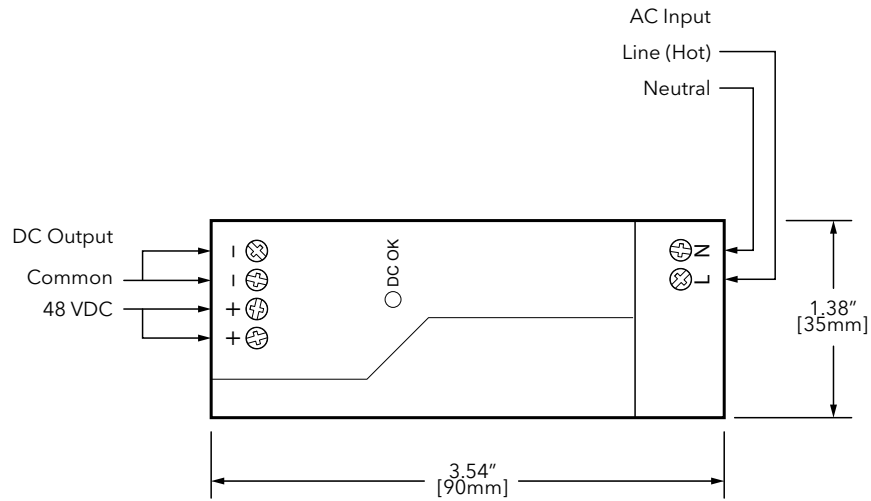
## DIMENSIONS

### PWPWR DIN TERM 50W 24VDC



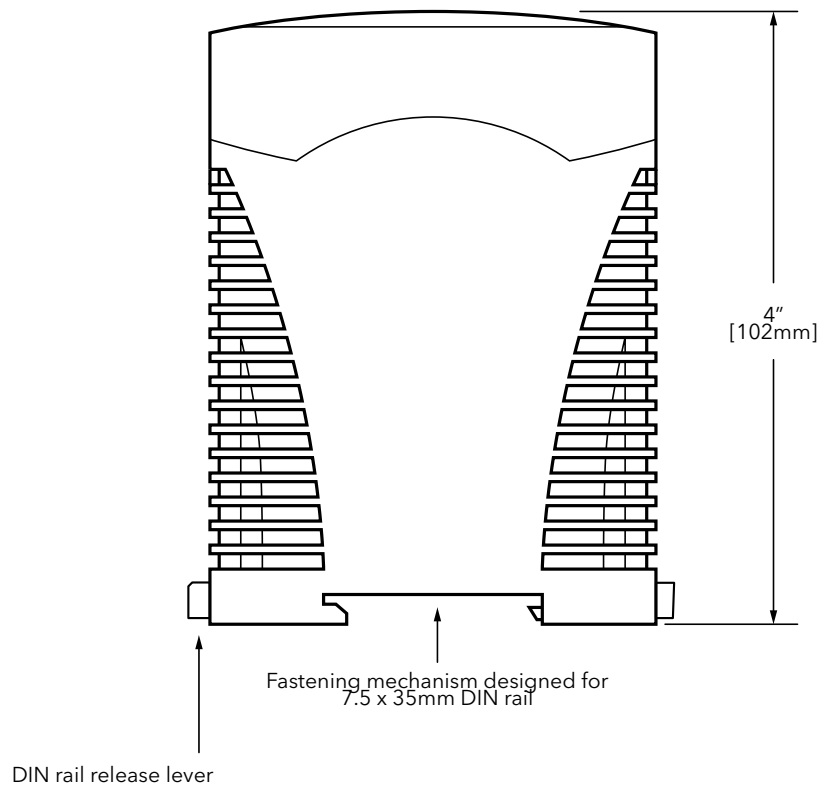
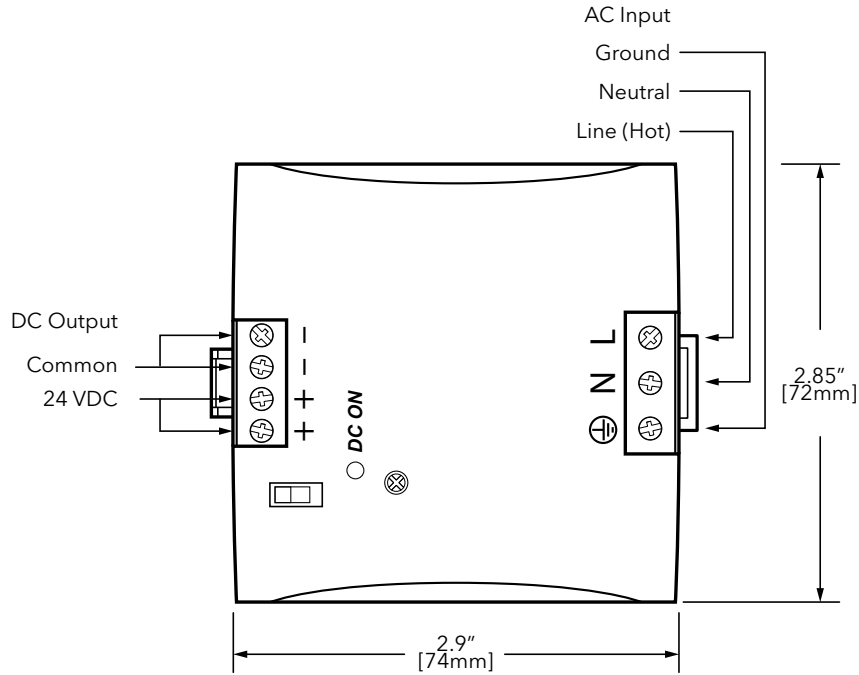
## DIMENSIONS

### PWPWR DIN TERM 60W 48VDC



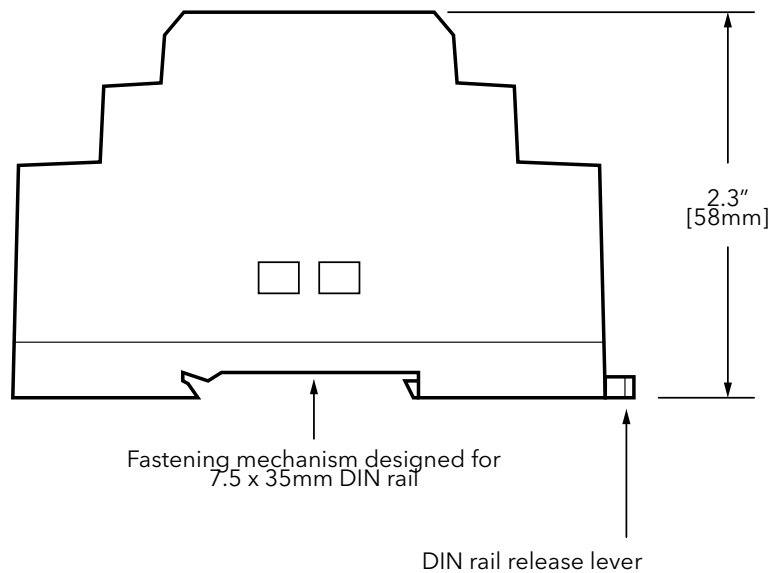
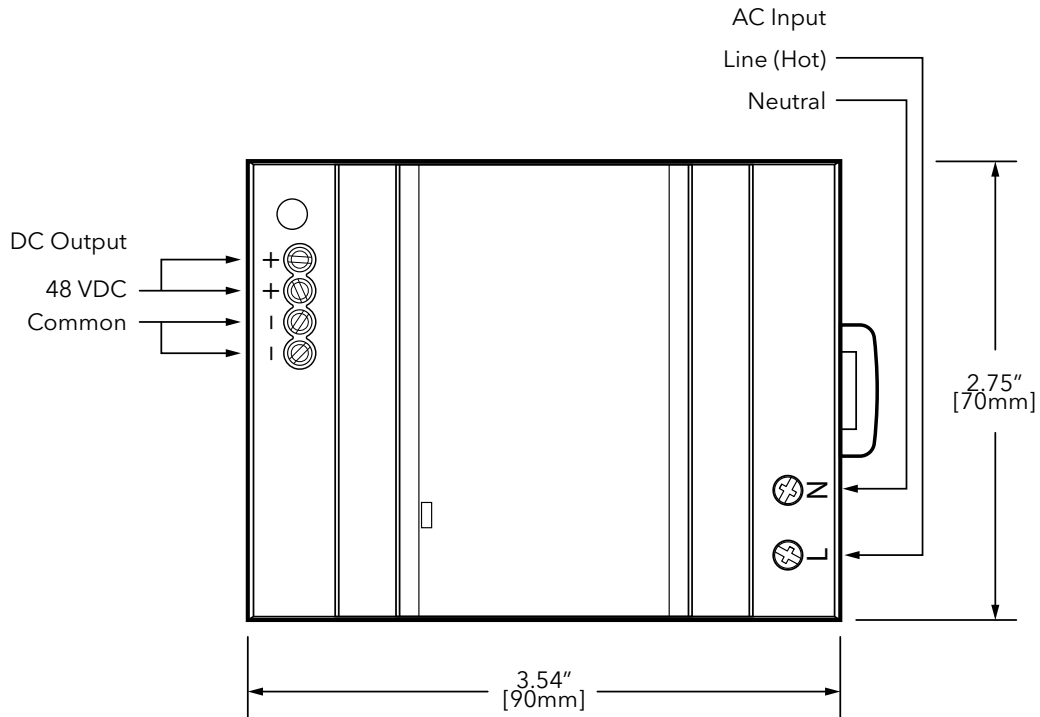
## DIMENSIONS

### PWPWR DIN TERM 100W 24VDC



## DIMENSIONS

### PWPWR DIN TERM 100W 48VDC





## DIMENSIONS

### PWPWR DIN TERM [10W/20W] 48TO24VDC

