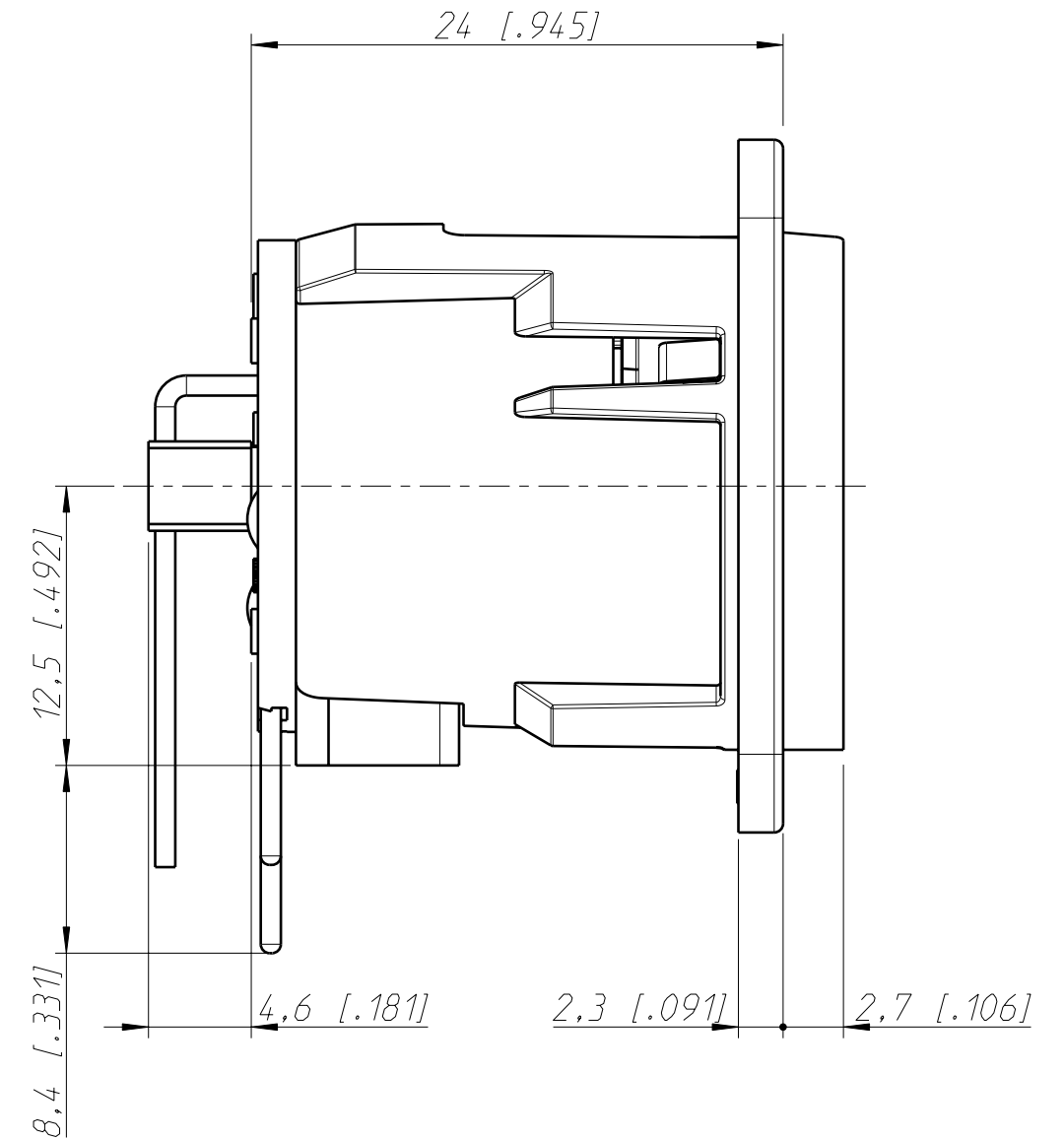
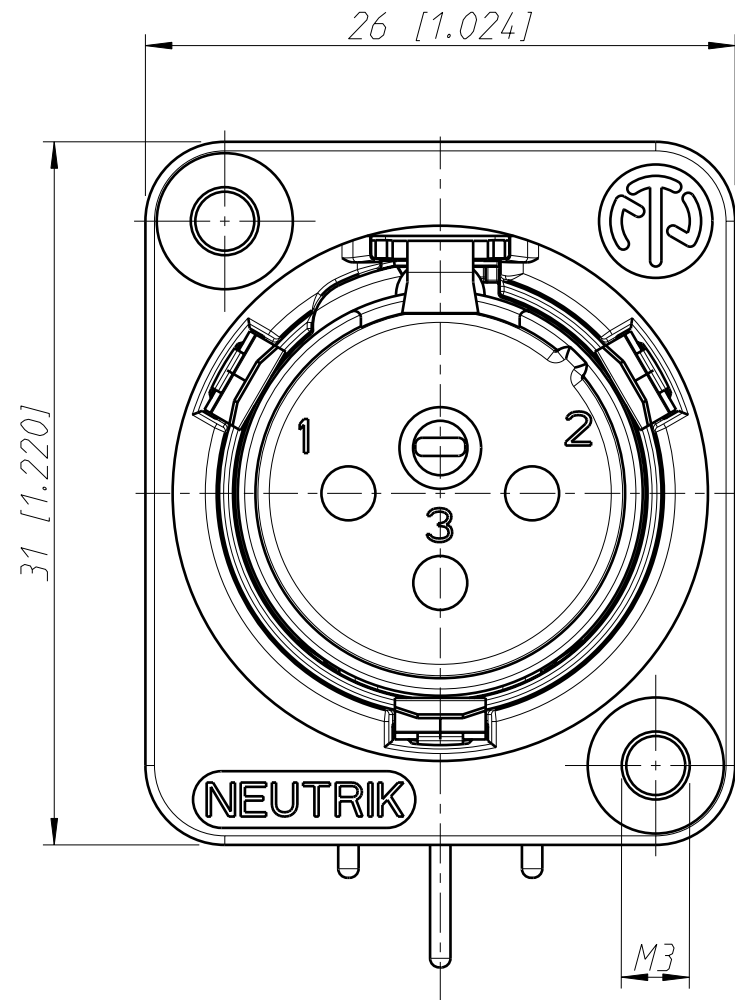
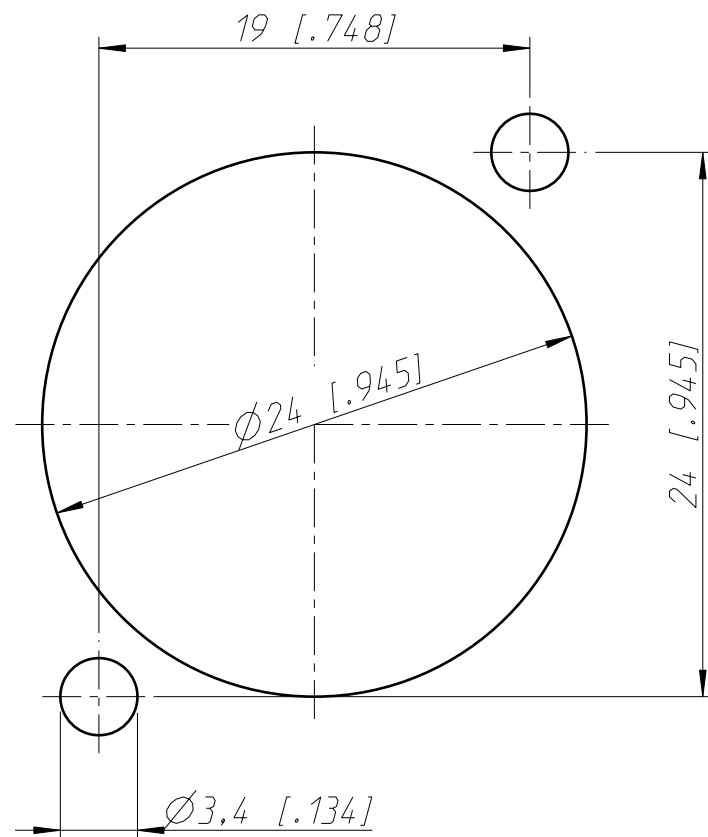
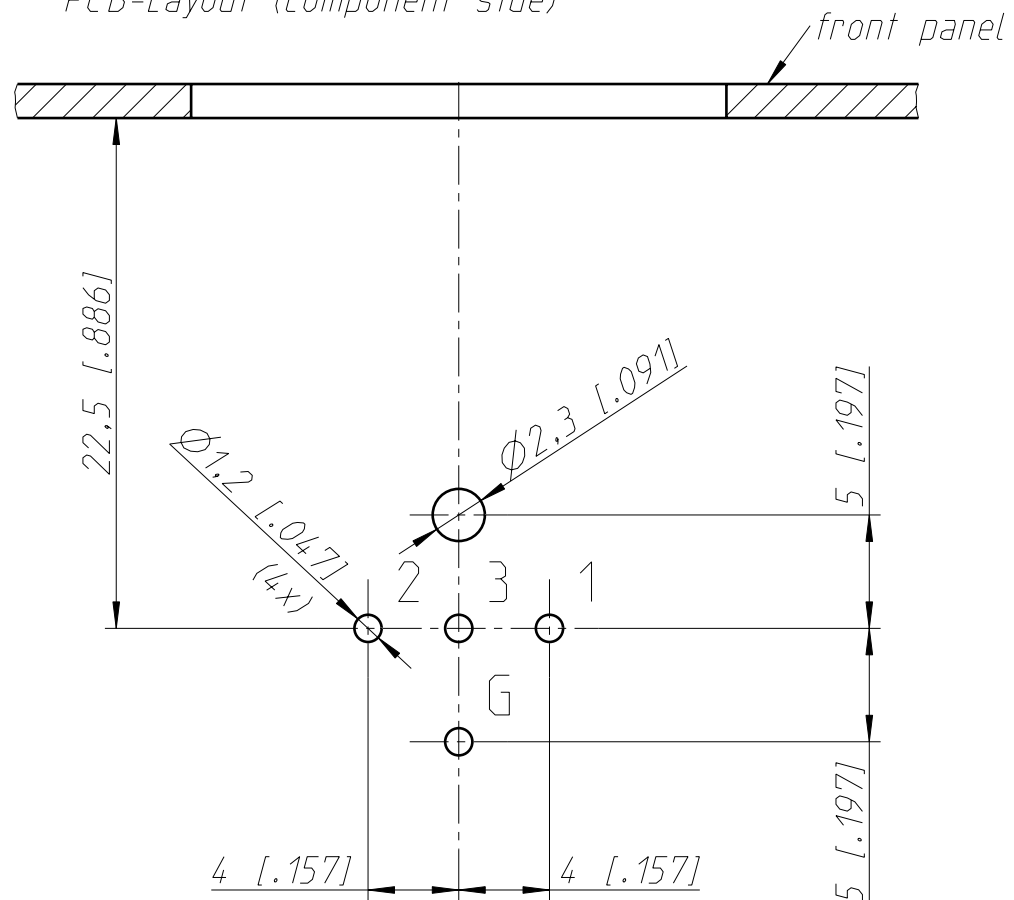


Frontplattenausschnitt (Rückseite)  
Panel cut out (rear side)



Print-Bohrplan (Bestückungsseite)  
PCB-LAYOUT (component side)



General tolerances ISO 2768-m	Scale	Date	Name
Refer to protection notice ISO 16016.	3:1 (A3)	19.06.15	Dobler
Name		Modified	Dobler
		Change-No.	Index
		65-2015	1 / 1
		Replacement for:	
		Drawing-No.	
			ST-NC3MDM3-H

NC3MDM3-H

NEUTRIK