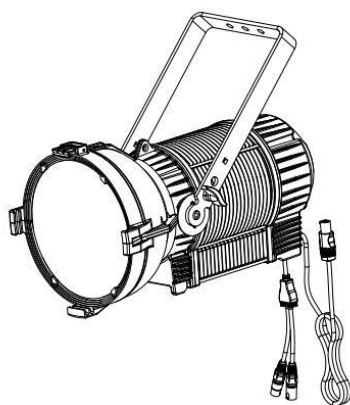





**User Manual: Typhoon 300W WW**

# **SquareLED Typhoon 300W WW**



## **User Manual**

CE RoHS  IP65

# 1 SAFETY INSTRUCTIONS



## CAUTION

Be careful with your operations. With a dangerous voltage you can suffer a dangerous electric shock when touching wires!

This device has left the factory in perfect condition. In order to maintain this condition and to ensure a safe operation, it is absolutely necessary for the user to follow the safety instructions and warning notes written in this user manual.



## IMPORTANT

Damages caused by the disregard of this user manual are not subject to warranty. The dealer will not accept liability for any resulting defects or problems.

If the device has been exposed to temperature changes due to environmental changes, do not switch it on immediately. The arising condensation could damage the device.

Leave the device switched off until it has reached room temperature.

This device falls under protection-class I. Therefore, it is essential that the device be earthed.

The electric connection must carry out by qualified person. The device shall only be used with rate voltage and frequency.

Make sure that the available voltage is not higher than stated at the end of this manual.

Make sure the power cord is never crimped or damaged by sharp edges. If this would be the case, replacement of the cable must be done by an authorized dealer.

Always disconnect from the mains, when the device is not in use or before cleaning it. Only handle the power cord by the plug. Never pull out the plug by tugging the power cord.

During initial start-up some smoke or smell may arise. This is a normal process and does not necessarily mean that the device is defective, it should decrease gradually.

Please don't project the beam onto combustible substances.

Fixtures cannot be installed on combustible substances, keep more than 50cm distance with wall for smooth air flow, so there should be no shelter for fans and ventilation for heat radiation.

If the external flexible cable or cord of this luminaire is damaged, it shall be exclusively replaced by the manufacturer or his service agent or a similar qualified person in order to avoid a hazard.



## CAUTION!

Please pay attention below warnings before using this fixture!



Don't Put Into Water!



No Enclosed Object Around This Fixture!



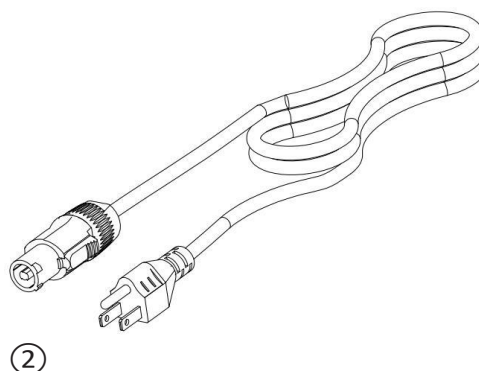
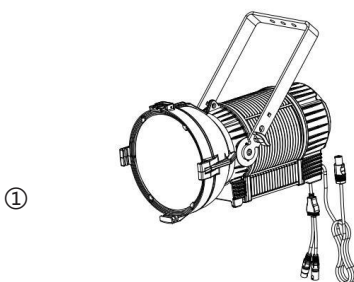
Put It 300MM Away From The Block!

## 2 Unpacking

Thank you for choosing SquareLed Typhoon 300W-WW. For your own safety, please read this manual before installing the device. This manual covers the important information on installation and applications. Please install and operate the fixture with following instructions. Meanwhile, please keep this manual well for future needs.

The SquareLed Typhoon 300W-WW is made of a new type of high temperature strength of cast aluminum casing with nice outlook. The fixture is designed and manufactured strictly following CE&RoHS standards, complying with international standard DMX512 protocol. It's available independently controlled and linkable with each other for operation. And it is applicable for large-scale live performances, theater, studio, nightclubs and discos.

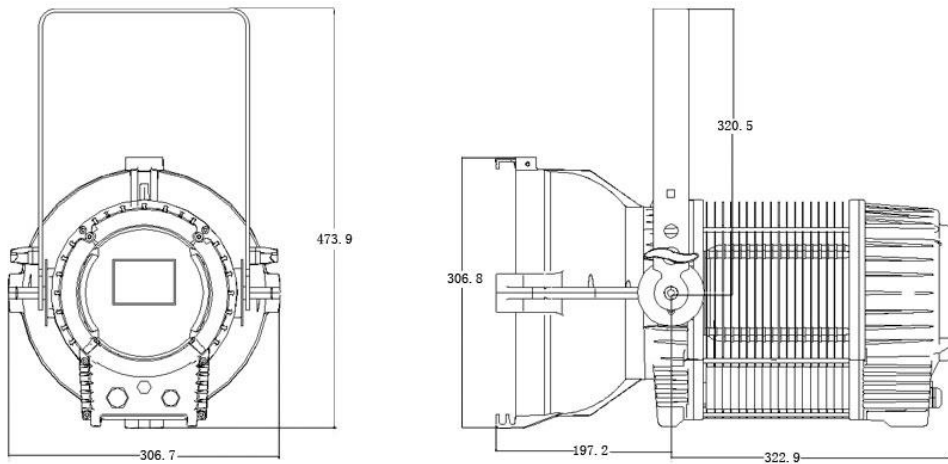
The SquareLed Typhoon 300W-WW adopts 1PCS 300W COB LED (CW) which features high brightness and stability. Please carefully unpack it when you receive the fixture and check whether it is damaged during the transportation. And please check whether the following items are included inside the box:



① FRESNEL 300AZ-CW	1PC
② POWER cable	1PC
③ User Manual	1PC

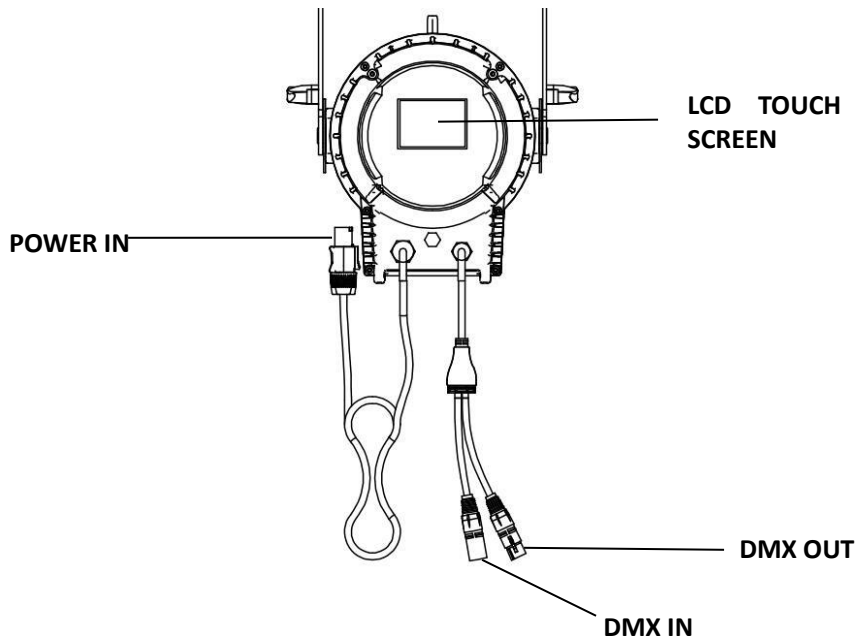
### 3 FEATURES & SPECIFICATIONS

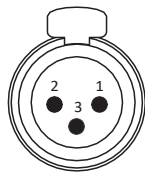
<b>Feature:</b>
*1*300W COB LED WW
*50,000 hours life time and low power consumption
*Color Rendering Index (CRI): Ra≥90
*High efficiency Fresnel lens
*DMX Auto zoom system from 15°-55°
*Housing made by rugged, die cast aluminum
*High-strength single handle design
*Barn door included
*4 kinds of dimming curve
*Dimming Frequency: 500HZ - 25000HZ optional
*Strobe :1-25times/sec
*2/5 DMX channels
*Control Protocol: RDM / DMX and Master/Slave control system
*LCD with touch screen
*Fan-less cooling system
*Working Temperature: -10°C~40°C
*IP65 protection rating
<b>Specifications:</b>
*Input Voltage:AC100-240V 50/60Hz
*Max. Power: 300W
*Dimensions: 520.1(D)*306.7(W)*473.9(H)mm
*Packing Size: 670(D)*385(W)*390(H)mm
*Net Weight: 13kg
*Gross Weight: 16kg



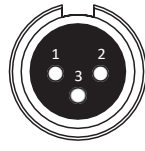
## 4 DMX-512 CONTROL CONNECTIONS

Connect the provided XLR cable to the female 3-pin XLR output of your controller and the other side to the male 3-pin XLR input of the moving head. You can chain multiple Moving head together through serial linking. The cable needed should be two core, screened cable with XLR input and output connectors. Please refer to the diagram below.  
DMX-512 connection with DMX terminator



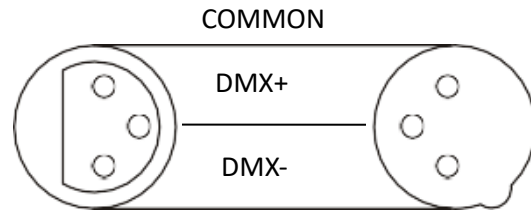


DMX Output  
3-Pin XLR



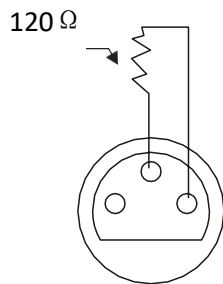
DMX Input  
3-Pin XLR

- 1:Ground
- 2:Data(-)
- 3:Data(+)



DMX512 Out  
3-Pin XLR

DMX512 In  
3-Pin XLR



For installations where the DMX cable has to run a long distance or is in an electrically noisy environment, such as in a discotheque, it is recommended to use a DMX terminator. This helps in preventing corruption of the digital control signal by electrical noise. The DMX terminator is simply an XLR plug with a 120  $\Omega$  resistor connected between pins 2 and 3, which is then plugged into the output XLR socket of the last fixture in the chain. Please see illustrations below.



## 5 Product Feature

- **2 kinds of running model**
  - External control mode (Slave model)
    - ◆ DMX 512 controller control (2 kinds channel modes)
    - ◆ Master/salve model control (auto match the signal from controller and the Master light, no need to set by menu)
  - static mode (Master model)
    - ◆ It can fix any color without the controller, also work this color with strobe
- **Non-linear dimmer and linear dimmer**
  - The speed of dimmer can be set under the controller control
- **Screen Protect**
  - It will enter blank screen without any operate on the keyboard in 30 seconds. Press any keys then it can quit screen protection.
- **Temperature Protection**
  - It can be set to temperature protection mode
- **Can be Reverse display**

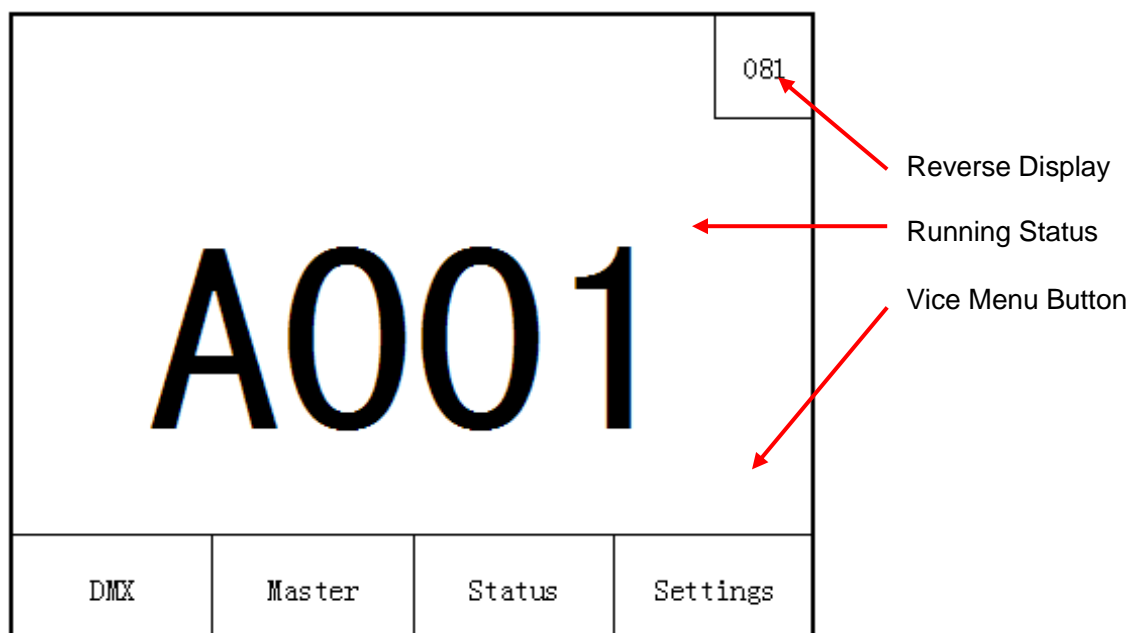
### Multi-light working in the same time

When using controller to control multi lights to work in strobe, the controller just sends the channel data. The strobe effect will be depended on each light itself. And please take attention for the follow situation:

1. There will be many situations make the lights are not synchronization in the beginning. (For example: the different time of opening the light, or different time of them connect to the controller). In this case, you can change value of the controller (for example push 20 to 0, and back to 20), then it can be synchronization.
2. Due to crystal frequency of different lights are not the same exactly, so it may not be synchronization after long time.
3. If need to keep synchronization for long time, there are two ways to do so:
  - A. Using the controller to edit program make the strobe effect,then they must be synchronization.
  - B. Using the Maser/Slave model

## 6 Main Menu

### 6.1 Main Menu



### 6.2 Operation Status

Mode	Display	Description
DMX Mode Master-slave	Axxx	"A" stand for standard channel mode, "xxx" stand for ID address, Auto identify controller signals or host signals
	Dxxx	"D" stand for basic channel mode, "xxx" stand for ID address, Auto identify controller signals or master signals
Manual	M-MC	"M" stand for Master mode, "MC" stand for "Mixed Colort"

## 7 Vice Menu

### DMX Settings

Menu	Operation	Option	Description
DMX Start Address	Press key of "OK" enter to edit mode, press "UP" and "down" to edit the DMX address	1~512	
DMX Profile	Press key of "OK" change the DMX channel mode	5CH	Standard Channel Mode
		2CH	Basic Channel Mode

### Status

Menu	Description
Software	Name of software
Version	Version
Temperature	Show the temperature of lighting fixture
DMX Status	With "OK" (Slave mode, with signal), "NONE" (Slave mode, no signal), "Master" (Master)

### Settings

Menu	Operation	Option	Description
Touch Screen Calibration	Touch screen adjust		
Dimmer Frequency	Change the dimmer frequency	500Hz	
		..... 25KHz	
Dimmer Curve	Change dimmer curve	Standard	
		Incandescent	
		Linear	
		Quick	
Over Temperature	Temperature setting	80~100	Each 5 for increase or decrease
Backlight	Adjust the display brightness	10%~100%	Each 5% for increase or decrease
Backlight Timeout	Screen protect setting	No screen protect or black screen from 0~ 60 second	Each 5 for increase or decrease
Load Factory Settings	Reset		

## 8 DMX CHANNELS

### Standard channel mode(5CH)

Channel	Data	Function	Remark
1	0~255	Dimmer	
2	0~10	No function	
	11~255	Strobe speed (255 is the fastest)	
3	0~255	Zoom	
4	0~255	Speed of zoom	0 is the fastest, 255 is the slowest
5	0~255	Reset of zoom	Pushrod will back to the top (255) and stay for 5 seconds

### Basic channel mode(2CH)

Channel	Data	Function
1	0~255	Dimmer
2	0~255	Zoom

## 9 OPERATION & SPECIFICATIONS

- The SquareLed Typhoon 300W-WW is an LED fresnel light for on-site decoration purpose.
- Don't turn on the fixture if it's been through severe temperature difference like after transportation because it might damage the light due to the environment changes. So make sure to operate the fixture until it is in normal temperature.
- This light should be keep away from strong shaking during any transportation or movement.
- Don't pull up the light by only the head, or it might cause damages to the mechanical parts.
- Don't expose the fixture in overheat, moisture or environment with too much dust when installing it. And don't lay any power cables on the floor. Or it might cause electronic shock to the people.
- Make sure the installation place is in good safety condition before installing the fixture.
- Make sure to put the safety chain and check whether the screws are screwed properly when installing the fixture.
- Make sure the lens are in good condition. It's recommended to replace the units if there are any damages or severe scratch.
- Make sure the fixture is operated by qualified personnel who knows the fixture before using.
- Keep the original packages if any second shipment is needed.
- Don't try to change the fixtures without any instruction by the manufacturer or the appointed repairing agencies.
- It is not in warranty range if there are any malfunctions from not following the user manual to operate or any illegal operation, like shock short circuit, electronic shock, lamp broke, etc.

## 10 INSTALLATIONS

For added protection mount the fixtures in areas outside walking paths, seating areas, or in areas where the fixture might be reached by unauthorized personnel.

Before mounting the fixture to any surface, make sure that the installation area can hold a minimum point load of 10 times the device's weight.

Fixture installation must always be secured with a secondary safety attachment, such as an appropriate safety cable.

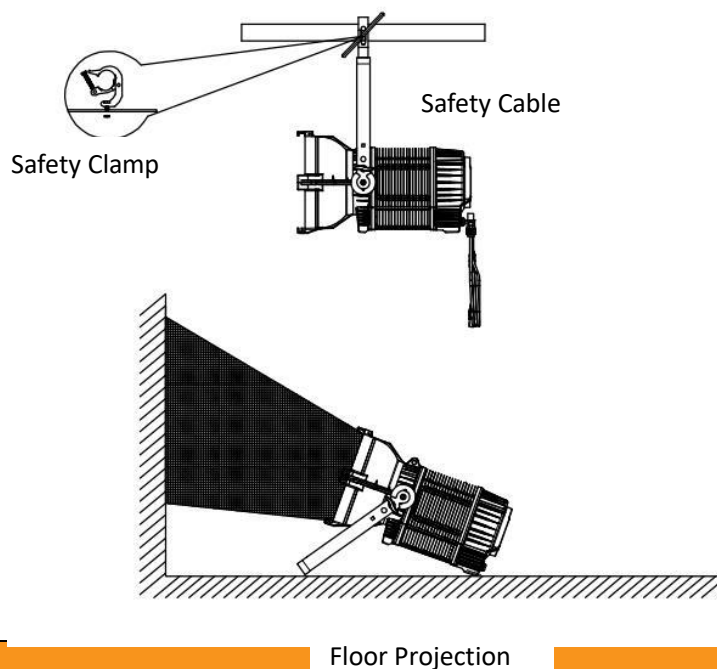
Never stand directly below the device when mounting, removing, or servicing the fixture.

From a ceiling, or set on a flat level surface (see illustration below). Be sure this fixture is kept at least 0.5m (1.5 ft) away from any flammable materials (decoration etc.).

Please ensure that the led fresnel spotlight is hung using the appropriate "C" clamp or half cheeseboro. A safety chain or cable should also be used as a secondary point of holding the fixture in case the clamp comes loose. Never hang the fixture without a safety chain or cable. There is an eye-bolt on the back of the fixture to which the safety chain or cable can threaded through and then hung from the secondary point. Make sure the Gel frame (Gel holder) is clipped into position correctly and cannot come loose.

If you are not qualified or have any doubts about hanging the led fresnel spotlight then do NOT hang it.

Do not clamp the safety cable to the U bracket or clamp. That is not a secondary safety point. A secondary safety point is any point that will adequately hold the led fresnel spotlight if the "C" clamp or half cheeseboro fails. Then the safety cable would be the backup and stop the fixture from falling to the ground. So do NOT fix the safety cable to the same place that the "C" clamp is attached



## **11** Cleaning and Maintenance

Now ignoring maintenance and cleaning is very good way of creating problems "down the road" and many companies and installations do just that. However, the net result is, no matter what the fixture, premature failure!

Changing the oil in a car, most people do on a regular basis.

So, with the fixtures, regular maintenance it an excellent practice, if you want the fixtures to last.

So, what is the maintenance for the fixture?

### **Clean the light!**

Turn off the led fresnel spotlight.

Using a small vacuum cleaner, suck the dust and "fur balls" out.

Do not use a can of co<sup>2</sup>. That will just blast the dust and dirt everywhere!

The front lens should be cleaned so the light output is maintained.

With the led fresnel spotlight turned off, use only a moist lint-free cloth. Never use alcohol or solvents to clean the fixture.

Never spray anything onto the fixture at the front or in any place on the fixture.



## **Das Lichttechnikhaus Vertriebs GmbH**

Rudolf-Diesel-Str. 3, D-89312 Günzburg

Telefon +49 (0) 82 21 207 98-0

Fax +49 (0) 82 21 207 98-69

E-Mail [info@lth-gmbh.de](mailto:info@lth-gmbh.de)

Web [www.lth-gmbh.de](http://www.lth-gmbh.de)